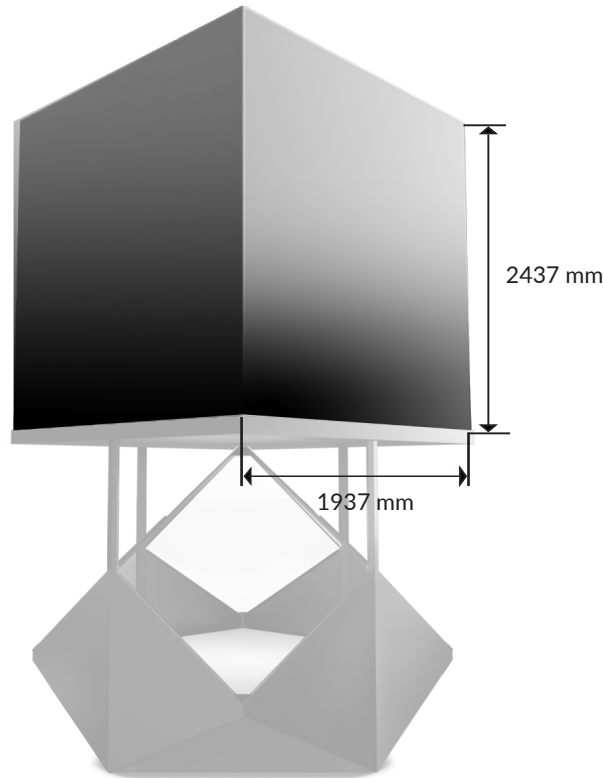


# DREAMOC DIAMOND BILLBOARD

## GUIDE AND INSTRUCTIONS TO SET UP PRINT RIGHT



### File measurements for stand

- 4 x print pdf files - one for each side in high quality 300 dpi
- Design needs to be W1937mm x H2437 mm + 3 mm bleed.

### Files needed for design of stand print

- Print or graphics must be in 300 dpi 1:1 (minimum is 100 dpi, but we suggest 300 dpi for best print).
- Colours must be CMYK scale - black is achieved by C:40 M:40 Y:40 K:100.
- Logoes need to be VECTOR for scale - in following format : EPS, IE or PDF. If it is an image the rule of dpi explained in the first bullet point above, is required.
- 3 mm bleed with trim marks. The graphics must exceed the print area with 3 mm all around.
- Important colors must have a pantone color.

### Send for print

- The four individual PDF's must be uploaded to dropbox or WeTransfer and sent to [contact@realfiction.com](mailto:contact@realfiction.com). Please write Diamond billboard Print as subject
- The files will be checked by Realfictions graphic designer before sending to print for any errors.
- The estimated time for production is two weeks without delivery.