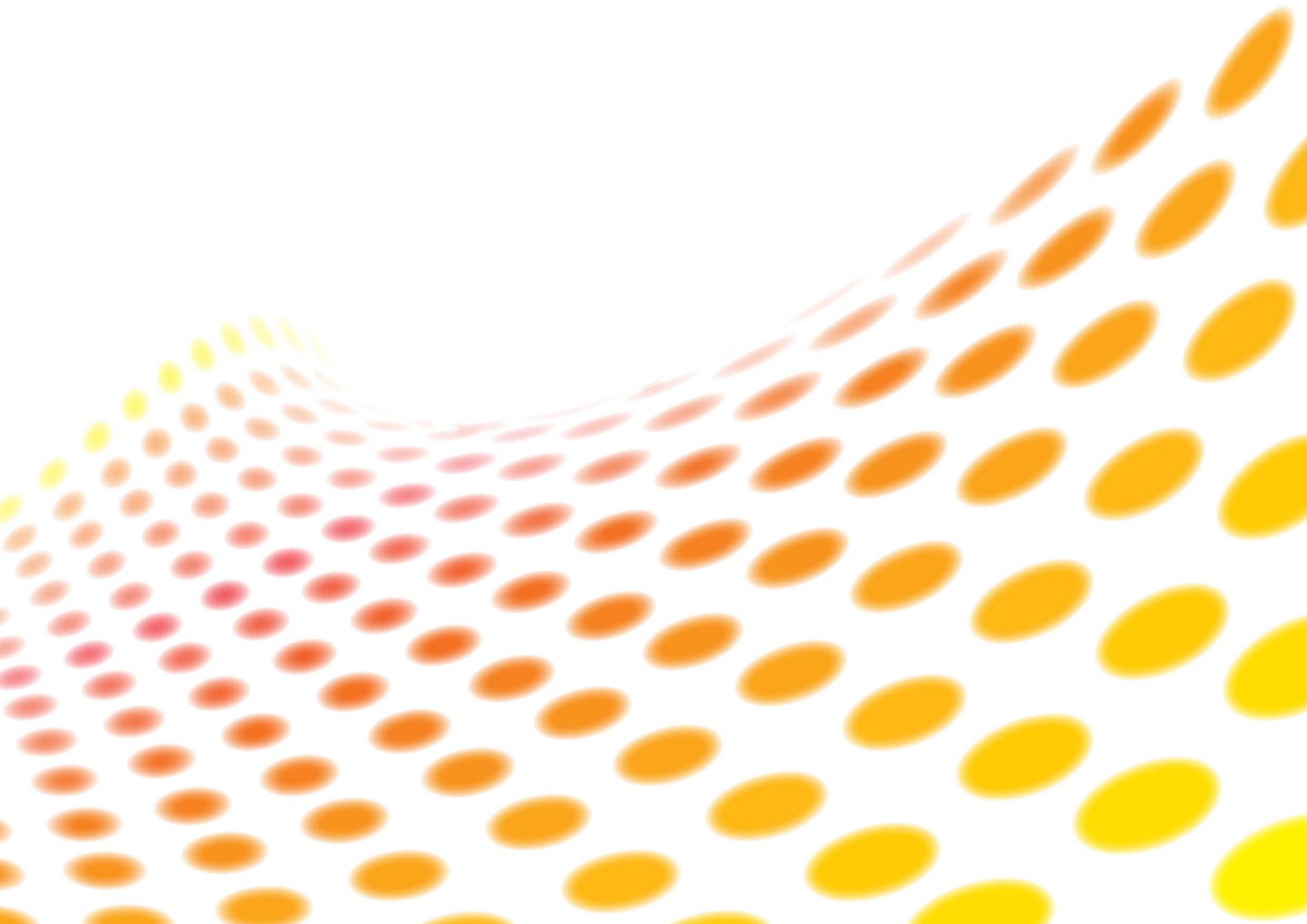




dreamoc™



user manual
version 1.3



Contents:

EU-declaration of conformity	p. 2
Security precautions	p. 3
Product guarantee	p. 4
Correct Disposal	p. 4
When receiving the Dreamoc	p. 5
Product details	p. 5
To start using the Dreamoc	p. 6
To place a physical object in the Dreamoc	p. 6
To change the film content on the Dreamoc	p. 6
To clean the Dreamoc	p. 6
Connecting the Dreamoc to externals	p. 6
How to assemble the stand (Optional)	p. 7
Troubleshooting	p. 11

EU-declaration of conformity

EU-declaration of conformity	
RealFiction ApS Sankt Annæ Plads 13, 5 DK-1250 Copenhagen K	
Hereby declares that the DREAMOC meets in Council Directive 2004/108/EC of December 15, 2005 on the approximation of Member States relating to electromagnetic compatibility.	
Dreamoc is designed to display and promote products along with an electronic produced and animated colour show. Content and scope of the colour show is designed in an interchangeable memory card, and worked with the client's wishes. Dreamoc consists of a display unit that is mounted on a floor stand. Display unit can also be mounted on the wall without using a stand, or placed on other stable surfaces.	
Furthermore, the product is in accordance with Council Directive 2006/05/EF of December 12, 2006 (low voltage).	
DK-1250 Copenhagen, date 27/4-2009  Clas Dyrholm CEO, RealFiction ApS	

It is important to read this manual before using the Dreamoc, and to follow advices and instructions on safety, operation and general use to get the best possible experience with your Dreamoc.

The Dreamoc is designed to showcase products and other objects in combination with free floating 3D video animations.
If the Dreamoc is used for purposes other than described, the CE marking and guarantee will only be valid after a written approval from RealFiction.

The Dreamoc is design protected in shape and form. RealFiction and Dreamoc are registered trademarks owned by RealFiction ApS.

Security precautions

Installation of the Dreamoc must be done according to this manual, and must be performed by an adult (Over 21 years).

The Dreamoc must be placed on a horizontal, stable and plane surface. The floor stand must be fitted with sufficient ballast as described in this manual.

Do not install the Dreamoc in narrow passageways or other places where a lot of people and equipment has to pass close by, thereby risking collisions that might cause the Dreamoc to tip over causing human injuries and damage to property.

The Dreamoc must be connected to a power outlet with current and voltage as described in the product marking.

Turn off the Dreamoc before changing the Compact Flash card.

During service and cleaning the Dreamoc must be turned off, and the power plug removed from the outlet. To disconnect the apparatus from the mains, the plug must be pulled out from the mains socket, therefore the mains plug shall be readily operable.

Handle the liquid crystal display (LCD) with care. The LCD is a very delicate display device: Do not press its surface with excessive force, hit it or prick it with a sharp object.

No sand or dust! Fine sand or dust entering the system could cause malfunctions or defects.

No water or oil! Water or oil entering the system could cause electric shock, malfunctions or defects.

The surface of the system will be slightly warm when using, but this does not indicate a fault.

Be careful of unusual ambient temperature. Using the system in a place where the temperature is over 40°C (140°F) or lower than 0°C (32°F) may result in malfunction.

Do not place the Dreamoc in direct sunlight or near magnetism, corrosive gas or ultrasonic humidifier. This could cause malfunction.

Do not expose the Dreamoc to soot or steam. Thick soot or steam could damage the electrical components and cause malfunctions.

Keep the memory card out of reach of children to prevent swallowing.

Product guarantee

The manufacturers guarantee includes production, materials and function of the supplied equipment. The guarantee is valid only if the supplied material is used as described in this manual, and to the purpose to which it has been designed.


The guarantee includes repair or replacement of malfunctioning components.

The guarantee is no longer valid if any unauthorized repairs or replacement of parts have been performed on the product.

The LCD screen is a product of high precision technology. Out of the total pixels 0.01% or less pixels may be out (black dots) or may remain lit as coloured dots (red, blue, and green). This shows the limitations of the current technology, and does not indicate a fault.

Correct Disposal of This Product (Waste Electrical & Electronic Equipment)

(Applicable in the European Union and other European countries with separate collection systems)

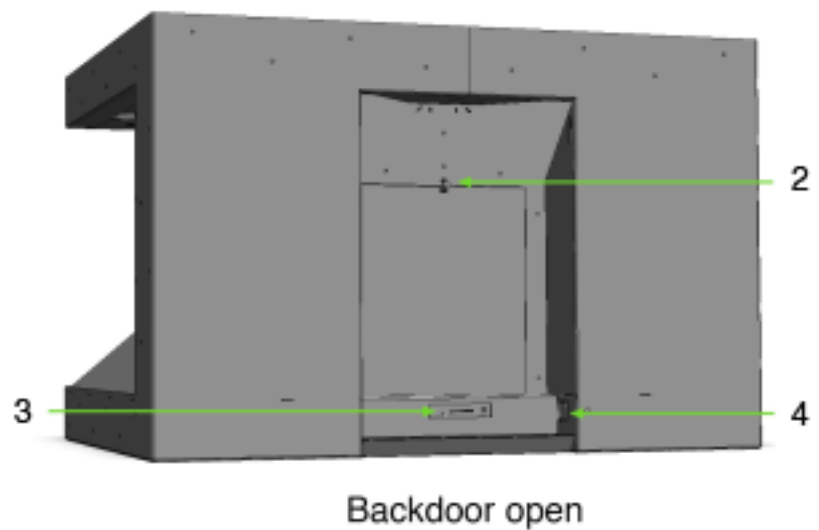
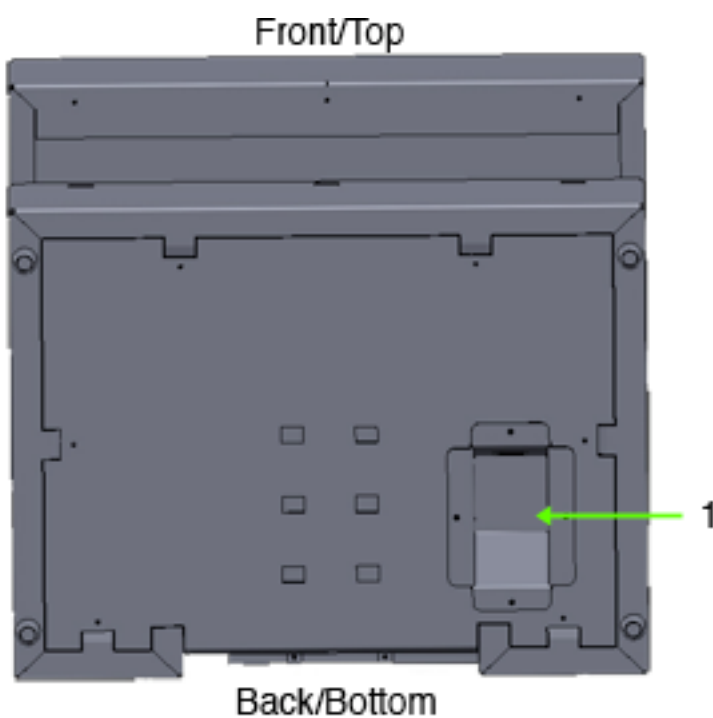
	<p>This marking shown on the product or its literature, indicates that it should not be disposed with other household wastes at the end of its working life. To prevent possible harm to the environment or human health from uncontrolled waste disposal, please separate this from other types of wastes and recycle it responsibly to promote the sustainable reuse of material resources. Household users should contact either the retailer where they purchased this product, or their local government office, for details of where and how they can take this item for environmentally safe recycling. Business users should contact their supplier and check the terms and conditions of the purchase contract. This product should not be mixed with other commercial wastes for disposal.</p>
---	--

When receiving the Dreamoc

Please be careful when unwrapping the Dreamoc. Especially the optic is fragile.

Product details

- 1) Power socket. Insert power cable here. Unscrew and unmount the hatch for access to internet, interactivity and sound options.
- 2) Hatch to product placement chamber.
- 3) Compact Flash card with film content.
- 4) On/off button.



To start using the Dreamoc

You simply plug it into the power outlet. AC 100-240V, 50-60 Hz, 240W. Wait about 20 seconds. The Dreamoc is delivered with a pre-installed movie (6), which will start automatically. The Dreamoc can operate 24/7, but if you would like to turn off the power, open the back of the Dreamoc. This is done using the key supplied with the Dreamoc. Inside you will find a switch on/off button (7).

To place a physical object in the Dreamoc

When you would like to place a physical object inside the pyramided shaped optic, you open the backdoor with the key supplied with the Dreamoc, open the hatch (5) to the chamber, and place the object inside.

To change the film content on the Dreamoc

Start by turning off the power (7). You then open the back of the display with the key supplied with the Dreamoc. You can now see the compact flash card in the player (6). To exchange the card, take out the first flash card and insert the new card in the player with the label facing upwards. Do not use excessive force when inserting the card. Afterwards you close the Dreamoc and turn on the power (7). Wait about 20 seconds and the Dreamoc will start showing the new content.

!!! We recommend keeping a backup copy of your Dreamoc content, either on a computer or on a backup CF card.

To clean the Dreamoc

The transparent pyramid shaped optic is made of plastic and should only be cleaned with a damp soft cotton cloth moistened with water to avoid scratches on the surface. The surface is hard coded, but will still need to be handled with care.

!!! We recommend that you only use regular PH neutral water. Avoid using chemicals and sponges. Never use stump objects to remove dirt from the optic.

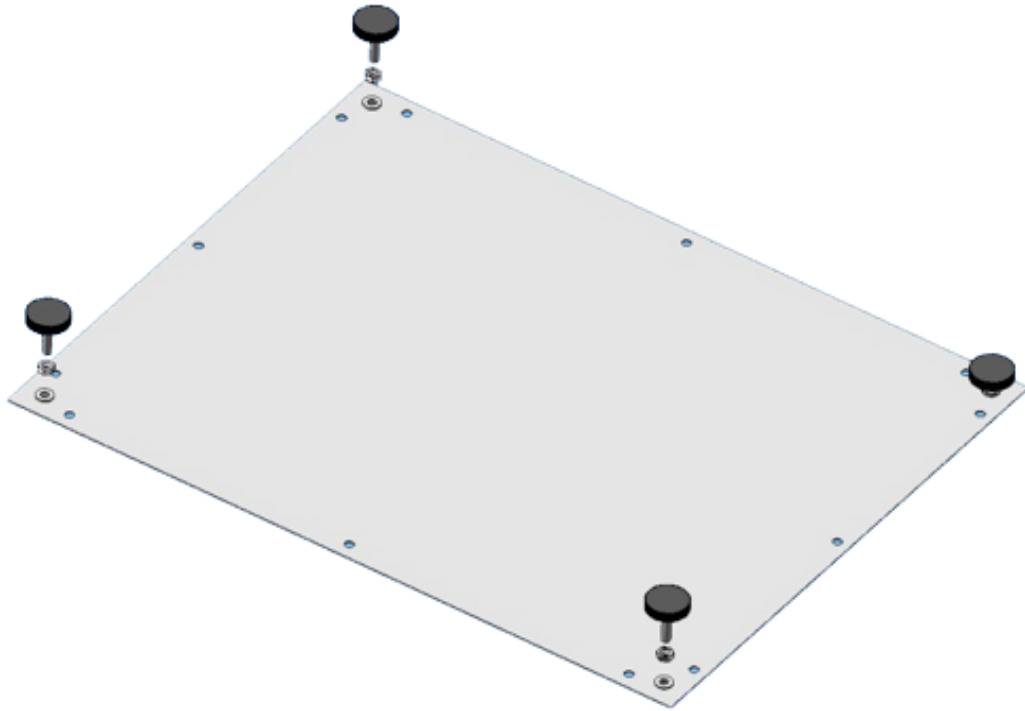
Connecting the Dreamoc to externals (from series 3)

The Dreamoc can be connected to the internet, for remote access and/or automated content updating features. It is also possible to connect external speakers, as well as interactivity accessories such as touch buttons and proximity sensors. These connections can all be reach through the small wire hatch (3) in the bottom of the Dreamoc housing.

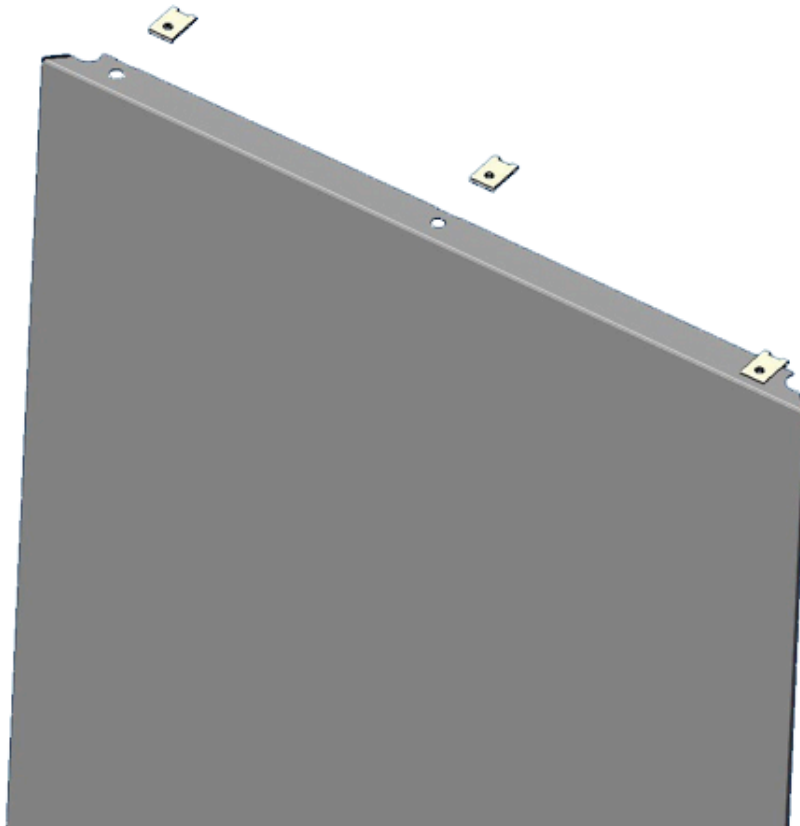
How to assemble the stand (Optional)

To avoid damage or scratches, it is a good idea to assemble the stand on top of the open packaging.

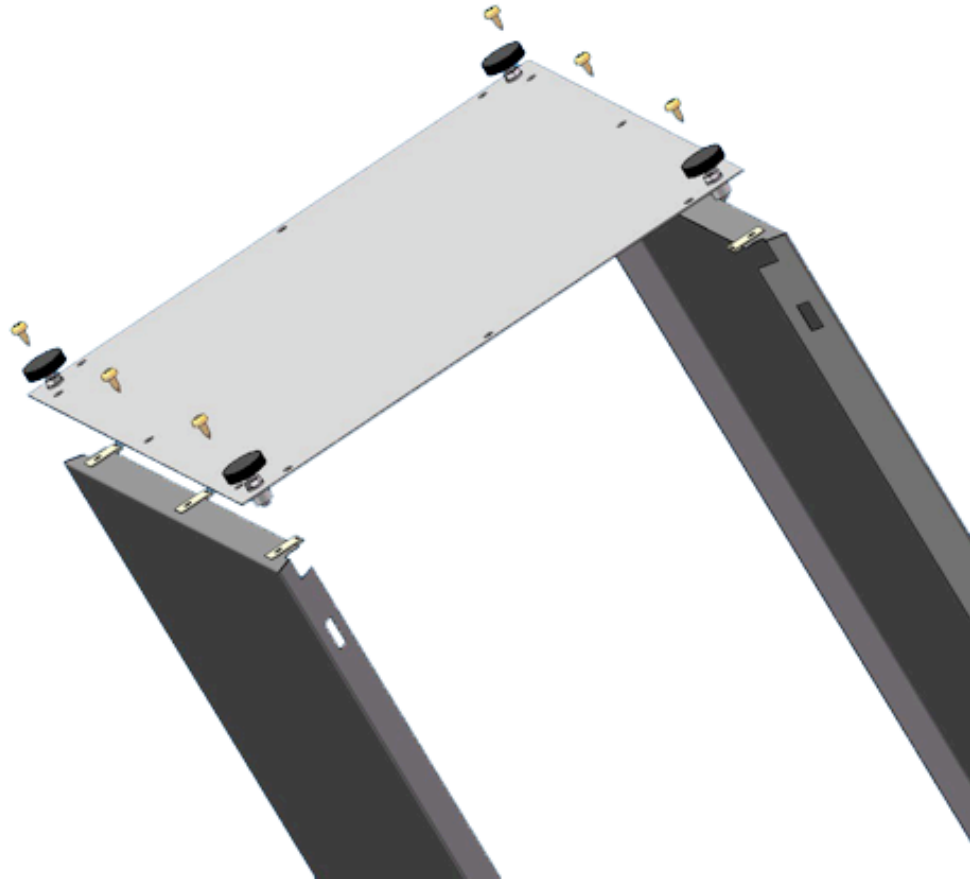
1) Apply the bolts to the adjustable feet, and mount the feet from the flat side of the base.



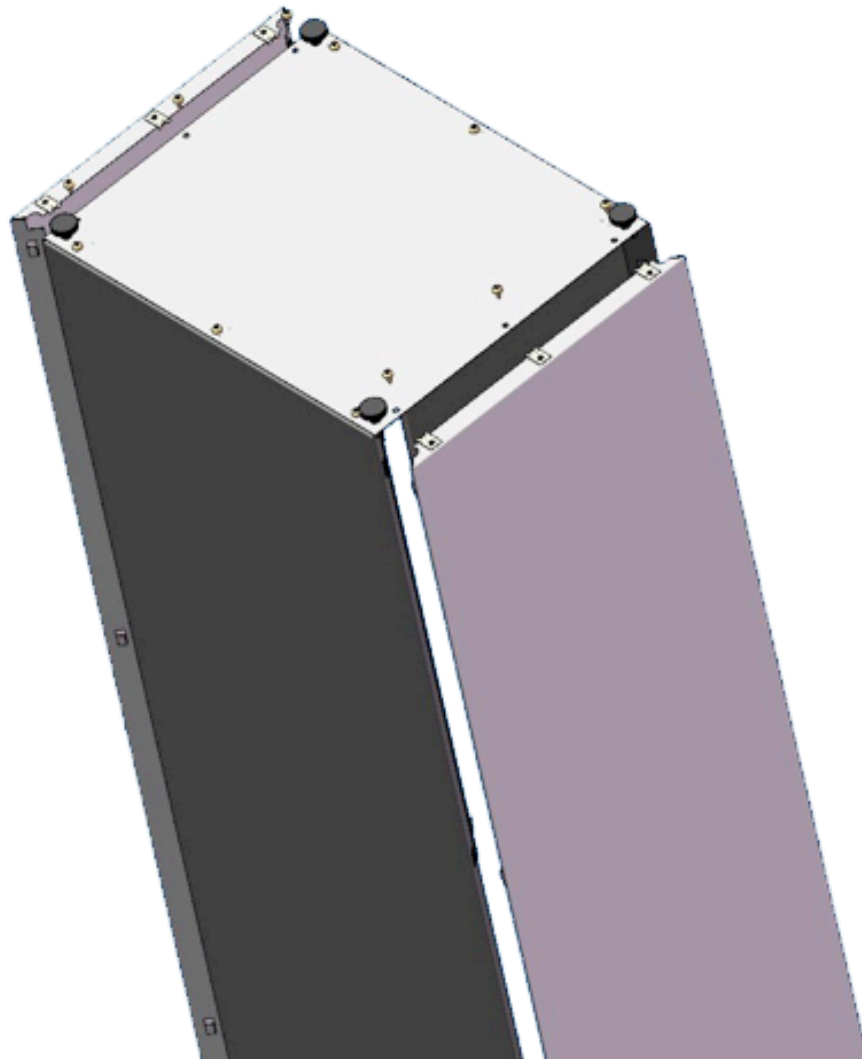
2) Mount plate clips on all 4 sides as shown.



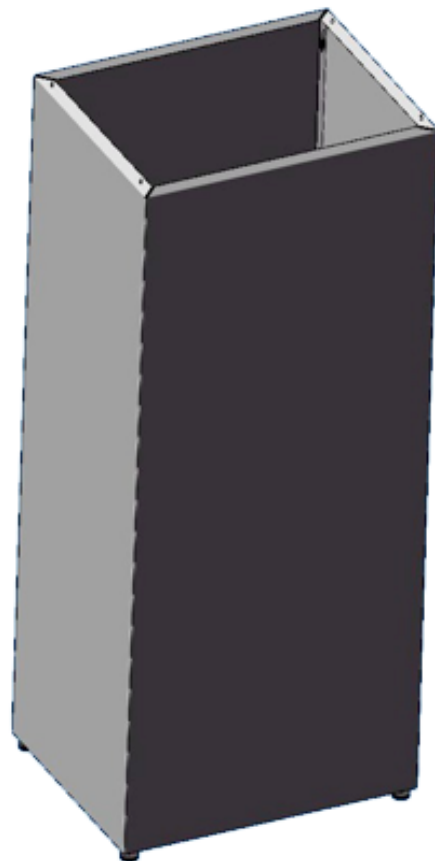
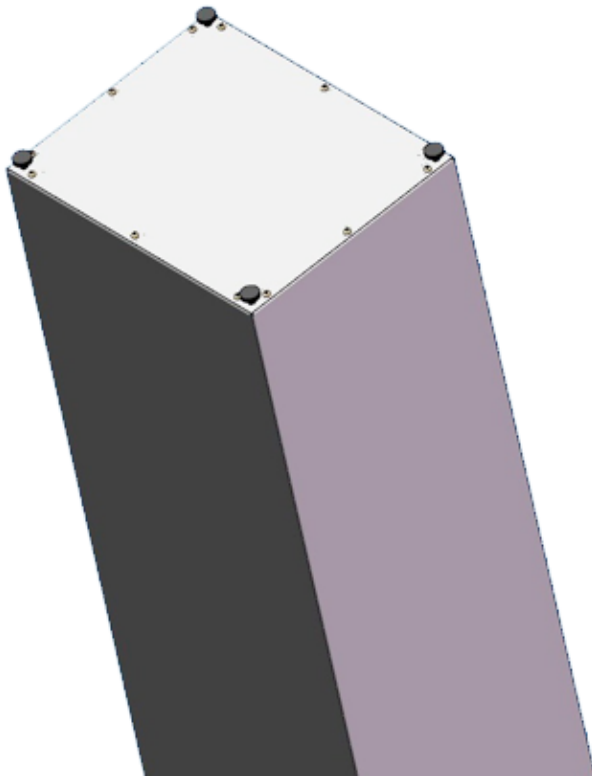
3) Mount the front and back panels on the base as shown. Do not tighten the screws completely yet.



4) The side panels can now be attached. The panels attach when slid towards the base. Mount the rest of the screws and tighten all screws.

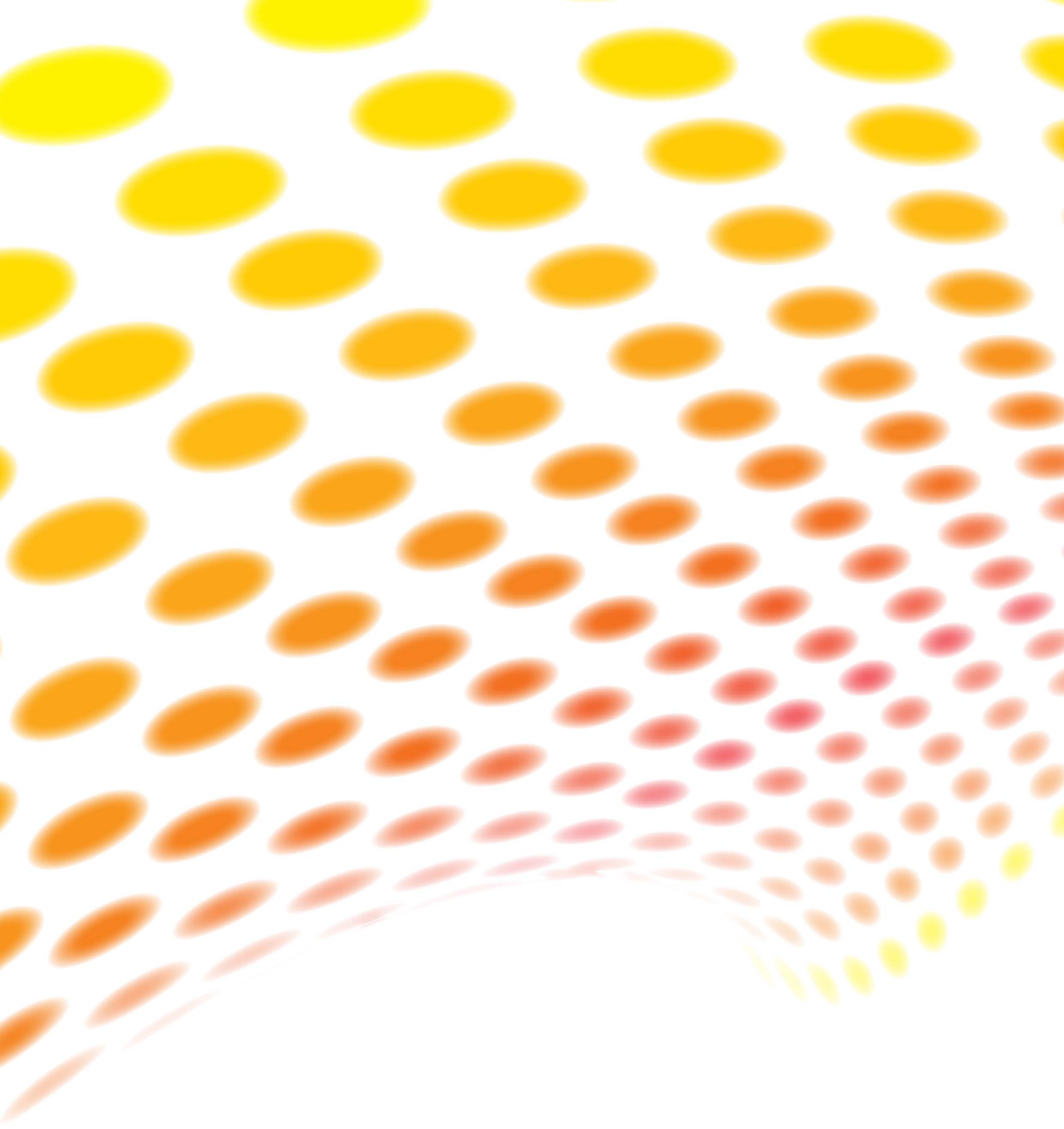


5) Turn the assembled stand around, and you should be ready to mount the Dreamoc display.



Troubleshooting

Problem (General)	Solution
No power.	<ul style="list-style-type: none">- Make sure the AC outlet has power.- Check that the on/off button.- Open the bottom chamber and check connections.
LED lamp is off or blinking.	<ul style="list-style-type: none">- Check wire connections from chamber through LED driver to LED lamp.- Replace driver.
Film is lacking or not playing at all.	<ul style="list-style-type: none">- Take out, format and reload the CF card.- Replace the CF card with a new one.- Check that the screen and player has power and is turned on.
The video images is out of scale/alignment.	<ul style="list-style-type: none">- Please check that the content has been produced according to the Dreamoc content manual.- Ensure that the screen has not been set to "4:3" mode, or any other manual position settings.- In case the player has been adjusted manually, make sure that display mode is set to "4:3", and output mode is VGA/1024x768.



For further information and pricing
please contact RealFiction
phone number: +45 7020 6490
email: contact@realfiction.com

