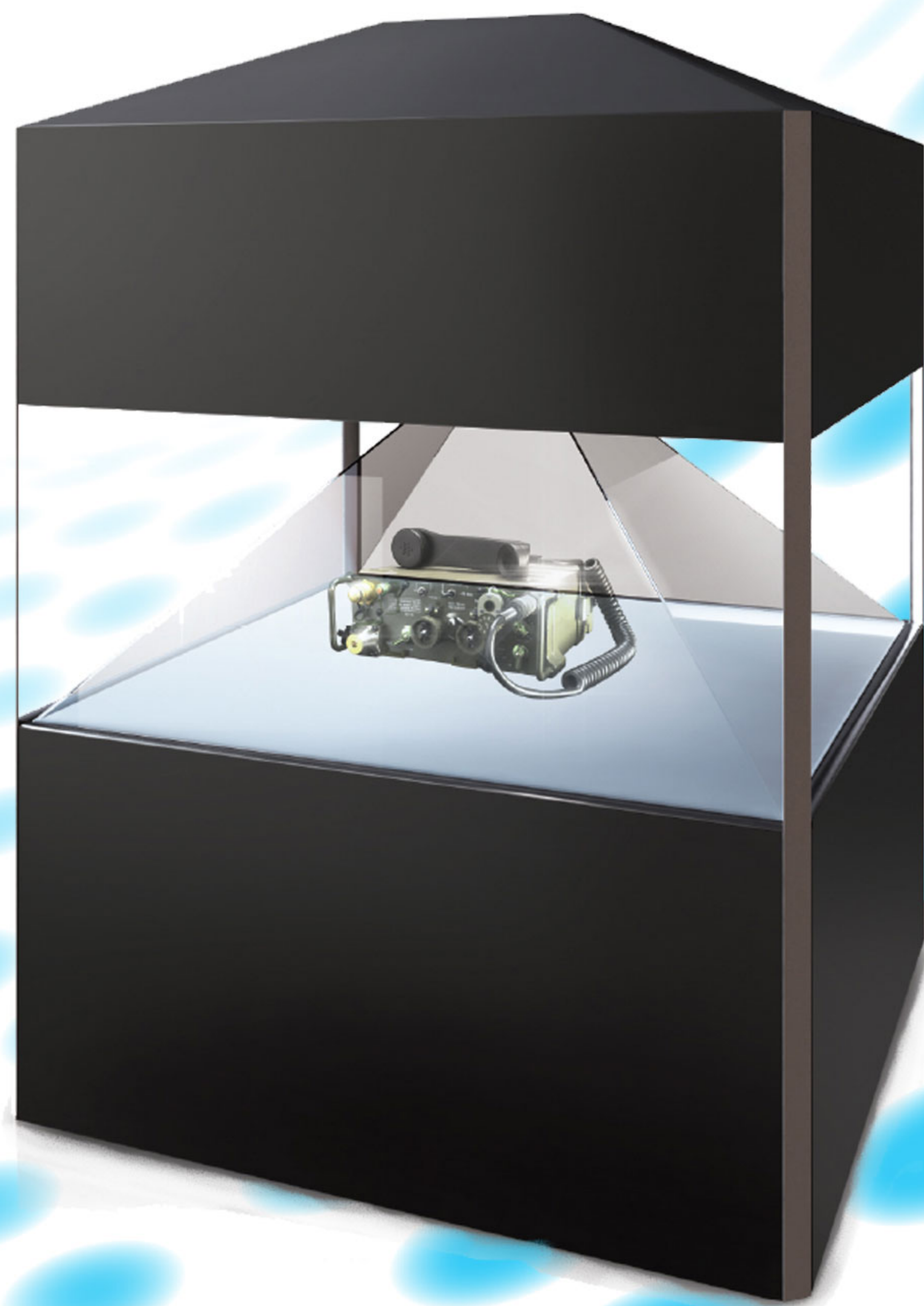


# dreamoc<sup>TM</sup>

## Scandinavia 360 XXL

Assembly Instructions

version 1.4

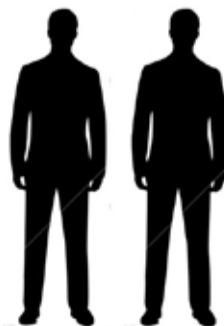


## Tools you will need for assembling the Dreamoc Scandinavia 360XXL (DS360XXL):

- Screwdriver and Unbrako tools.
- We recommend using safety gloves appropriate for handling glass.
- Professional suction cups for glass handling might also be a solution, but will require educated personnel.
- Spirit level.



- Setup time; two persons 1 day. (With experience the setup time can be reduced by at least half)



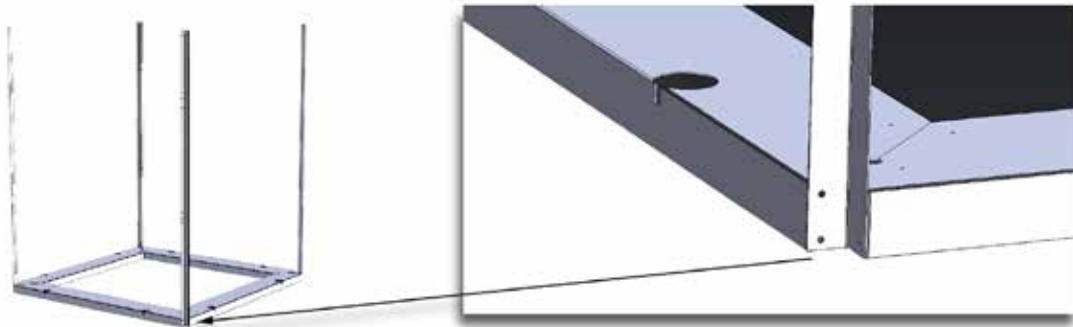
*Note: Any mentioning of audio system parts refer to the OPTIONAL audio system that can be purchased alongside your DS360XXL display.*

1. Take out the pre-assembled bottom part and mount the adjustable feet from below. Make sure that the bottom part is in level by using a spirit level tool.

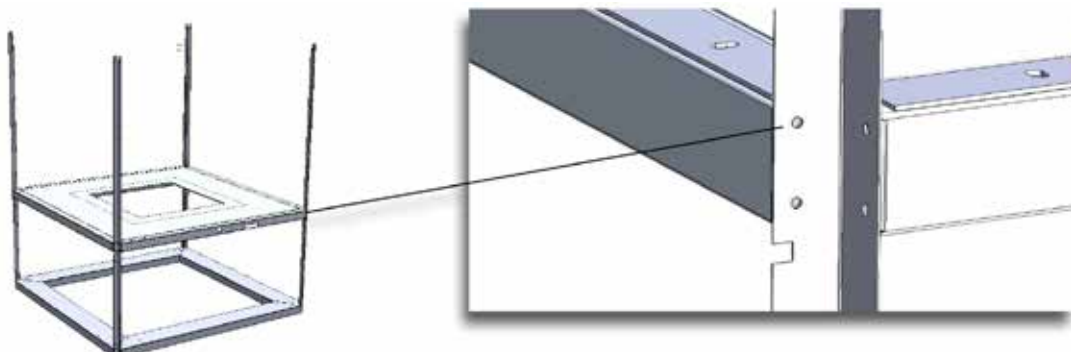


- Turn the frame around.
- Mount screws from the bottom.
- Turn the frame around again making sure that the master power cable is placed underneath the frame.
- Alternatively: If you wish to have the power cable coming down from above, you can use one of the 4 corner profiles, and should NOT slide the cable underneath the bottom frame.
- Make sure that the serial number label is facing in the direction where you want the door.

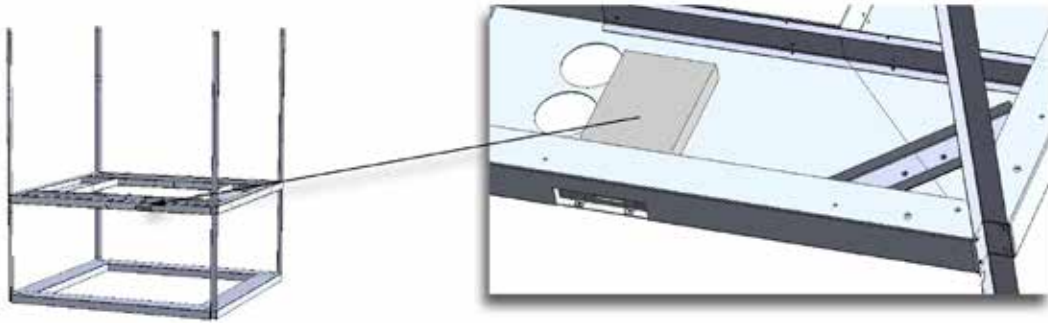
2. Mount the 4 corner profiles, using 4 screws in each corner.



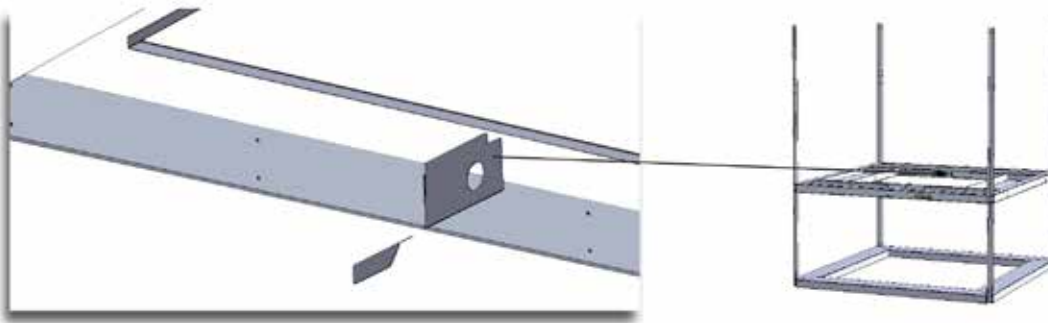
3. Lift in the centre section, with the white plate facing up and the keyhole facing in the direction where you want the door, and fasten it with four screws in each corner.



4. To mount the player, the 6 centre stage arms and the optional sound control module (unless these are pre mounted), you will need to remove the white plate by removing the 4 screws in the corners. Gently lift away the white plate, making sure that it does not bend or get scratched. Mount the media player as shown, with the CF card slot facing towards the squared hole.



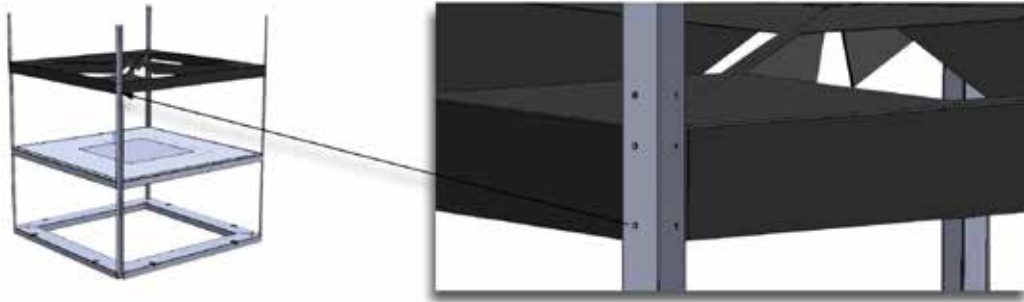
5. Push in the centre stage arms, which will hold the white square centre stage in place. If you are using the optional audio system, make sure the control box is mounted in the hole left to the keyhole.



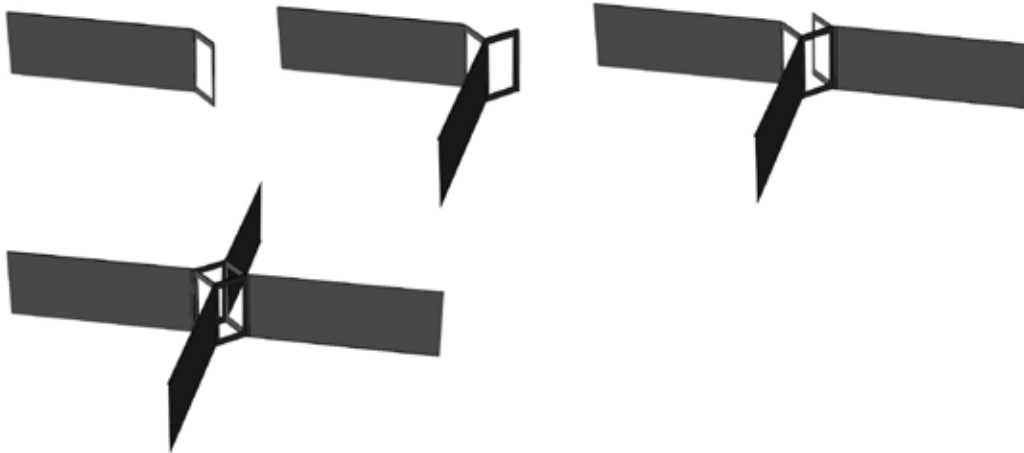
6. Mount the white bottom plate again fixing it with 4 screws – one in each corner.



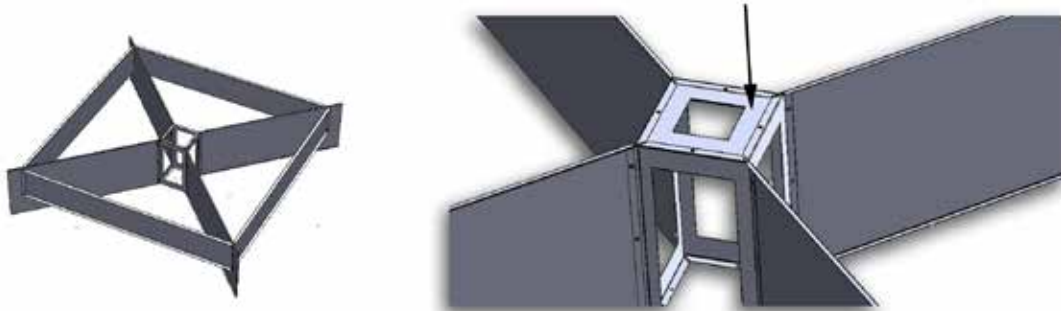
7. Fix the lamp house to the top section with 4 screws, lift the top section flat surface up, and fix it with four screws in each corner.



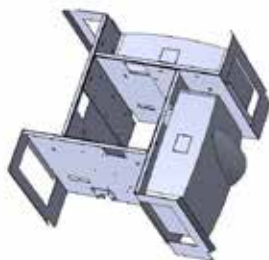
8. Assemble the projector cross with 3 screws in each part.



9. To make the projector cross stiff and solid, lock the 4 plates with 3 screws in each corner. Also mount the square centre plate at the top.

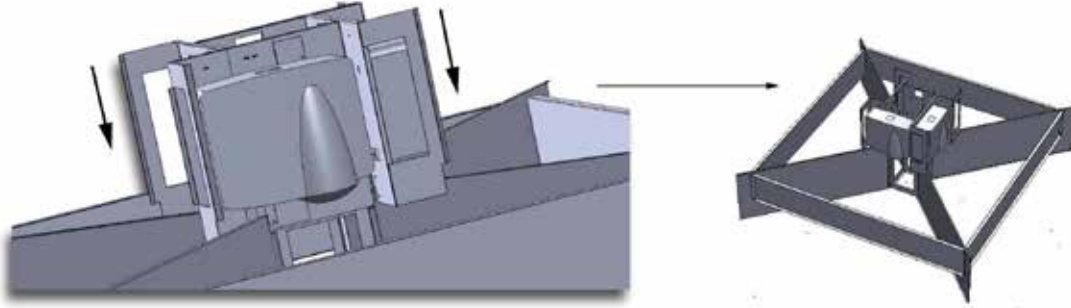


10. Mount the 4 projectors using 2 screws in the top of each projector, going through the projector mount into the back of the projector.



11. Divide the power distribution cables into two sections. One with only projectors, and one with LED power supply, VGA splitter and fan power supply.

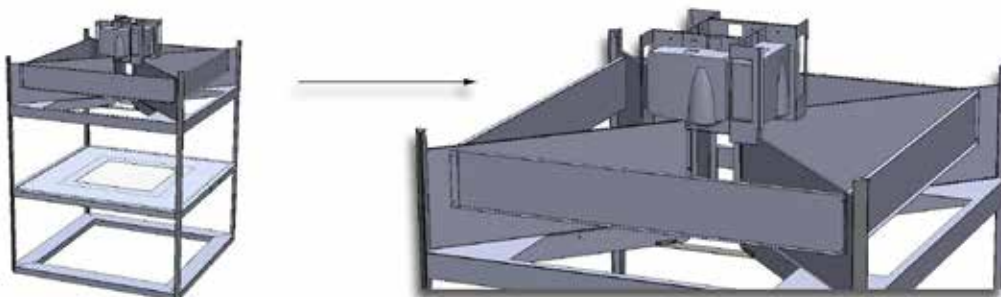
12. Push down the projector mount into the centre of the cross.



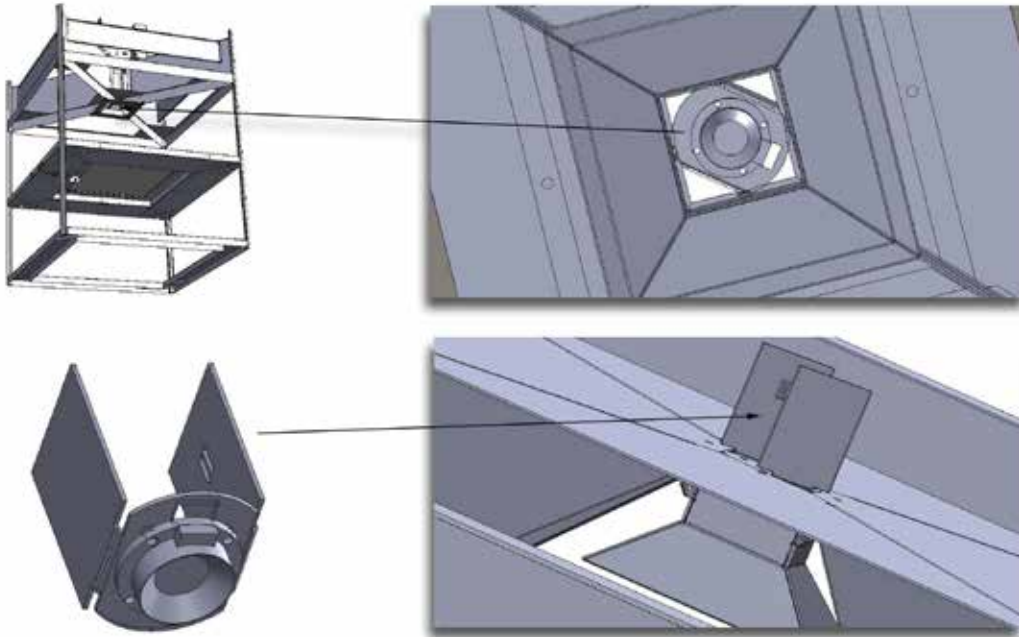
13. Mount all cables:
  - 13.1. Make sure the LED wire will hang down through the centre hole.
  - 13.2. Mount all projector power cables.
  - 13.3. Mount power supply for the VGA splitter.
  - 13.4. Mount VGA cables from VGA splitter outputs to each projector.
  - 13.5. Mount the 5m long VGA cable from player to VGA splitter input.
  - 13.6. Use the 2 power distributors inside the projector mount, to keep the power distribution separated so projectors are separated from everything else.
  - 13.7. Make sure that you ground the system, by attaching the green&yellow ground wire to a screw on the metal housing.

14. Power up the system while the projector cross is still on the floor.
  - 14.1. Adjust focus on each projector so the images are sharp on the floor.
  - 14.2. Ensure that the video image appears on all projectors.
  - 14.3. Power down the system again, making sure that the projectors are given time to cool down completely before moving them.

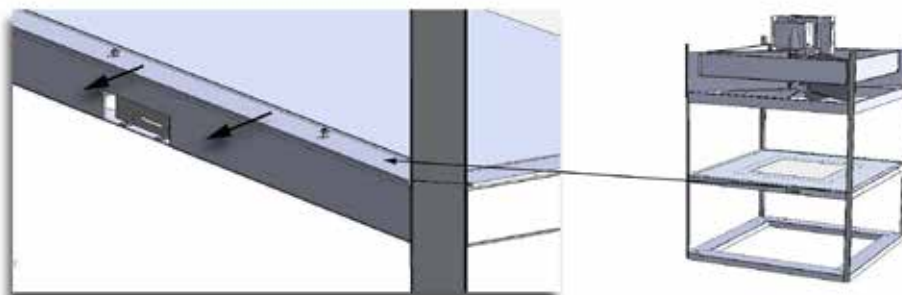
15. Lift up and install the cross section with the video projectors on the top section.



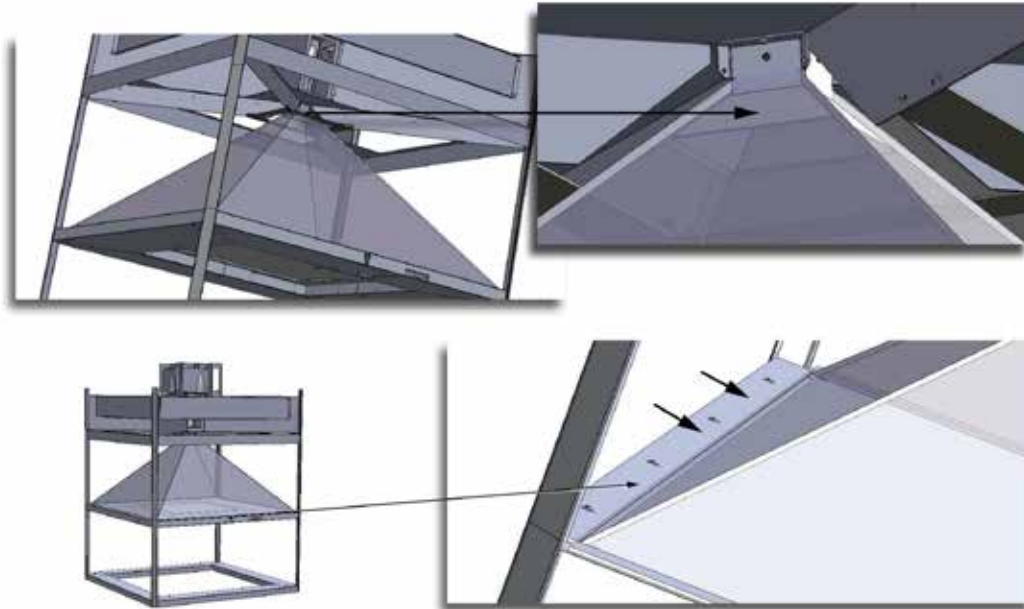
16. Install the LED lamp in the centre of the lamp house. Push up the LED lamp into the lamp house and then twist to lock it.



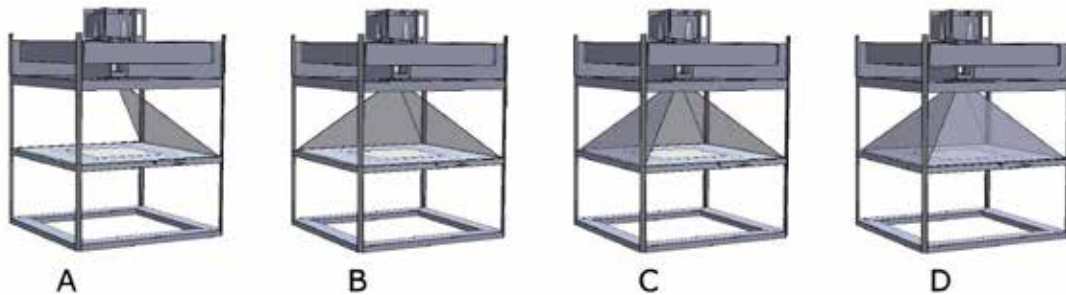
17. Remember to connect the LED driver to the lamp, using the power cable with a small plug that fits on the side of the lamp.
18. Use the corner profiles to hide the wires; In one corner place the long VGA cable going from player to splitter, in two others place the two power cables (1=projectors, 2=everything else).
19. Mounting the glass mirrors.  
19.1. Loosen the screws in the glass safety list slightly, just enough to allow the list to move. To make space for the mirror, pull the list away from the centre. Do this on all 4 sides.



- 19.2. Carefully take one mirror at a time, being 2 people with proper gloves and safety clothing. Slowly rest the top tip of the mirror on the outside of the lamp house. While each person watch their own bottom corner tip, place the bottom of the mirror down behind the glass safety list. It is very important to do this process very slowly for safety reasons, and to avoid damaging the mirrors.



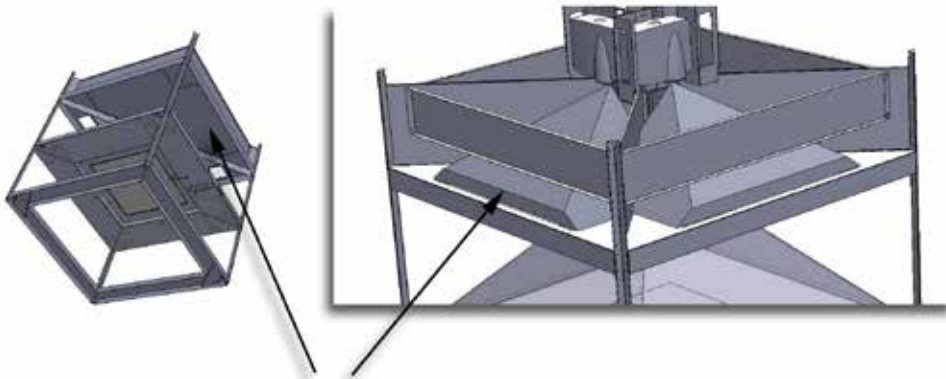
- 19.3. Continue installing the mirrors in the following order from A to D:



- 19.4. Once you have all 4 mirrors in place, it is time to squeeze them gently together, to get a nice clean finish on all corners, with as little gap as possible between the mirrors. Start by pushing the safety list in so it is just inside the frame, and tighten the screws, so the glass position will be locked. Do so with all 4 sides from A to D. Then repeat while pushing the lists all the way in.



20. Place the special DNP back projection screens in the top section.



Place projection screen here with black surface pointing down. (The blue shapes on this image indicating the light cone from the projectors)

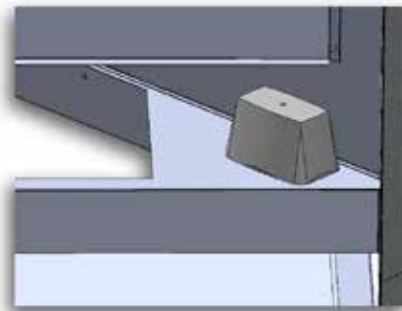
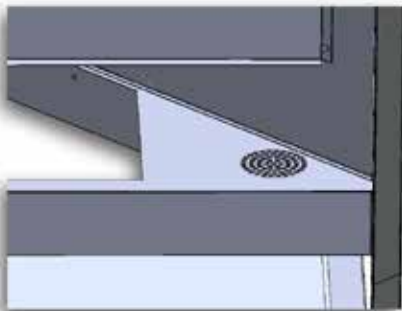
Handle these projection screens with great care. Use soft gloves to make sure not to leave any fingerprints on the lenses.

Make sure the projection screens cover the entire hole. Check this by looking from beneath and check for gaps.

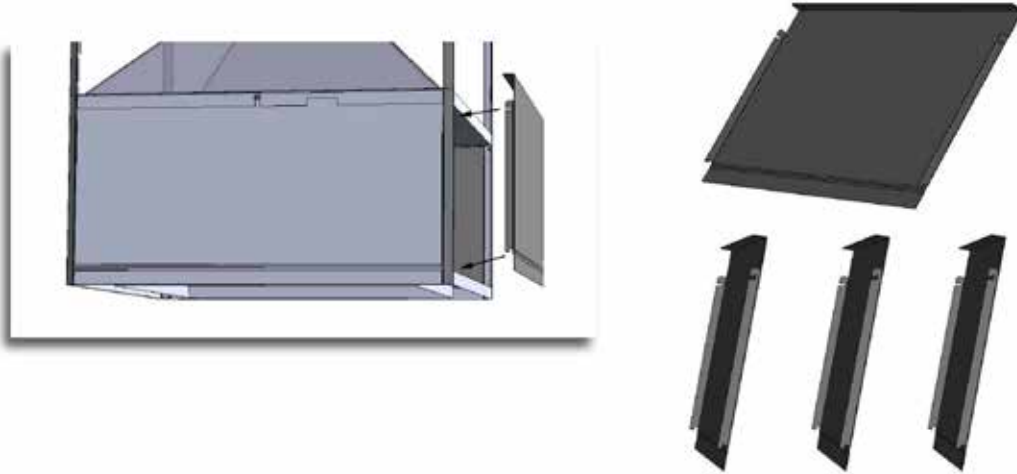
Make sure there no dust or any objects on top of the projection screens, as that would disturb the image.

At this point you should connect the remaining cables, power up the whole system, and check that everything works.

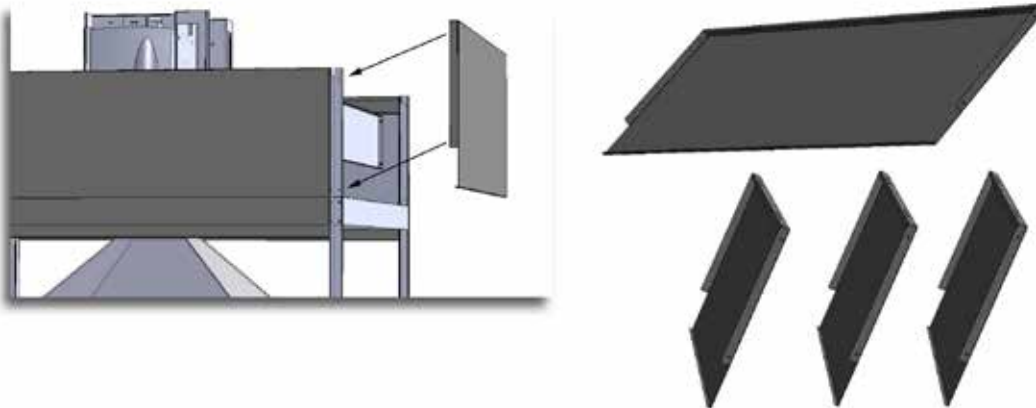
21. If you are using the **optional** audio system, it is time to place the 4 top speakers.
- 21.1. The speaker positions are on the right side of each DNP back projection plate.
  - 21.2. The first time you will have to remove the covers by removing the 2 screws holding each cover. There should be nothing covering the speaker grid.
  - 21.3. Place one of the triangle shaped foam parts here, and lay your speaker on top of the foam – pointing downwards.
  - 21.4. Connect all wires to the sub-woofer, which should be placed in the centre floor of the construction, by guiding the wires through the corner profiles.



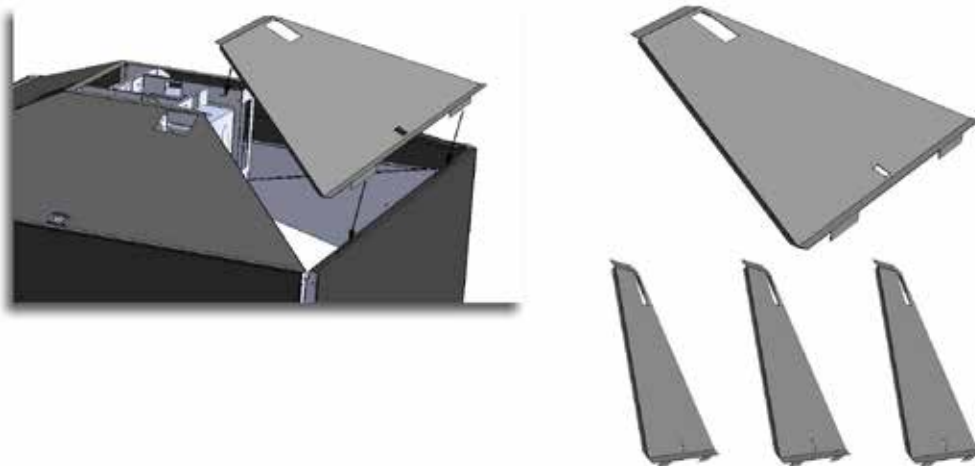
22. You are now ready to mount the outer parts. Start by mounting the 4 side plates on the bottom section. Align the bottom bolts first, and then let the top bolts slide down in place.



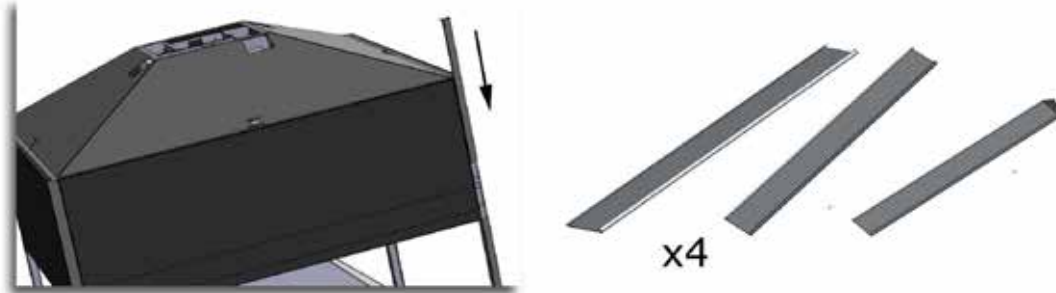
23. Now mount the 4 side plates on the top section. Lock all plates with 2 screws in each side.



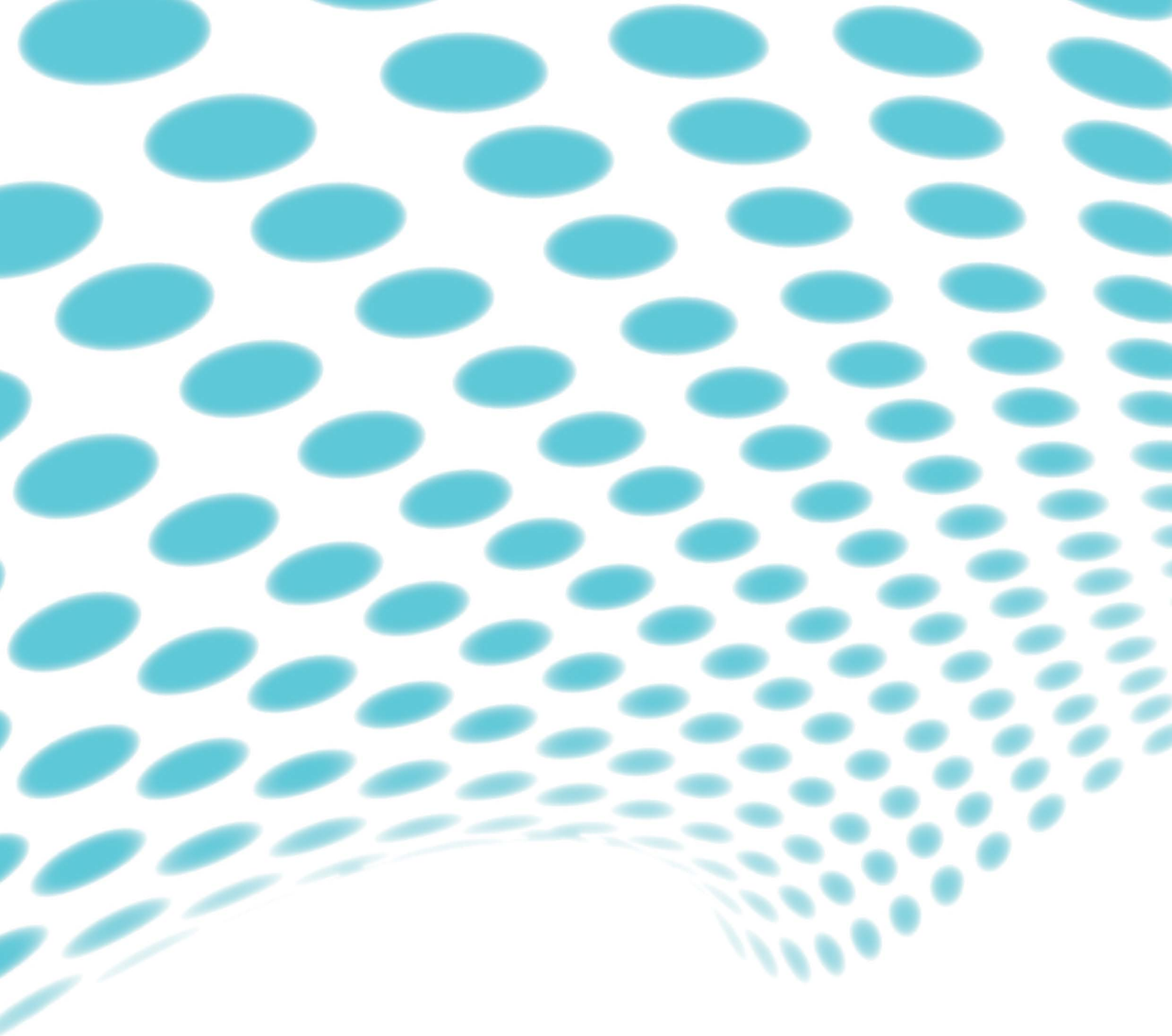
24. Mount the 4 top plates. Let the top part lean up against the projector mount, and then let the bottom part slide into position.



25. Last, but not least, you should mount the brushed steel corner covers:
- 25.1. First make sure that the wires are in place inside the corner profiles.
  - 25.2. Remove the protection foil from the covers.
  - 25.3. Then slide them into position from top and down.
  - 25.4. There are 3 different lengths for each corner.
  - 25.5. First slide down the longest.
  - 25.6. Then the second longest.
  - 25.7. And finally the shortest.



- 25.8. If they feel too hard to slide down with hand, use a wooden stick and a small hammer to push them down. Make sure you do not damage the wires during this process. Also make sure the projectors are OFF when doing this, as a lit and hot projector lamp is vulnerable to shocks.
26. Open the door, crawl inside and clean the inside of the mirrors and the white plate for any dust or fingerprints.
27. Mount the centre stage plate from below. It is easiest if you are 2 persons. One holding each side. Lock all arms to secure the stage.
28. Crawl out and close the door. Check the outside of the mirrors and the metal parts for dust and fingerprints.
29. Instruct the customer how to use the product.



For further information and pricing  
please contact Realfiction  
phone number: +45 7020 6490  
email: [contact@realfiction.com](mailto:contact@realfiction.com)

