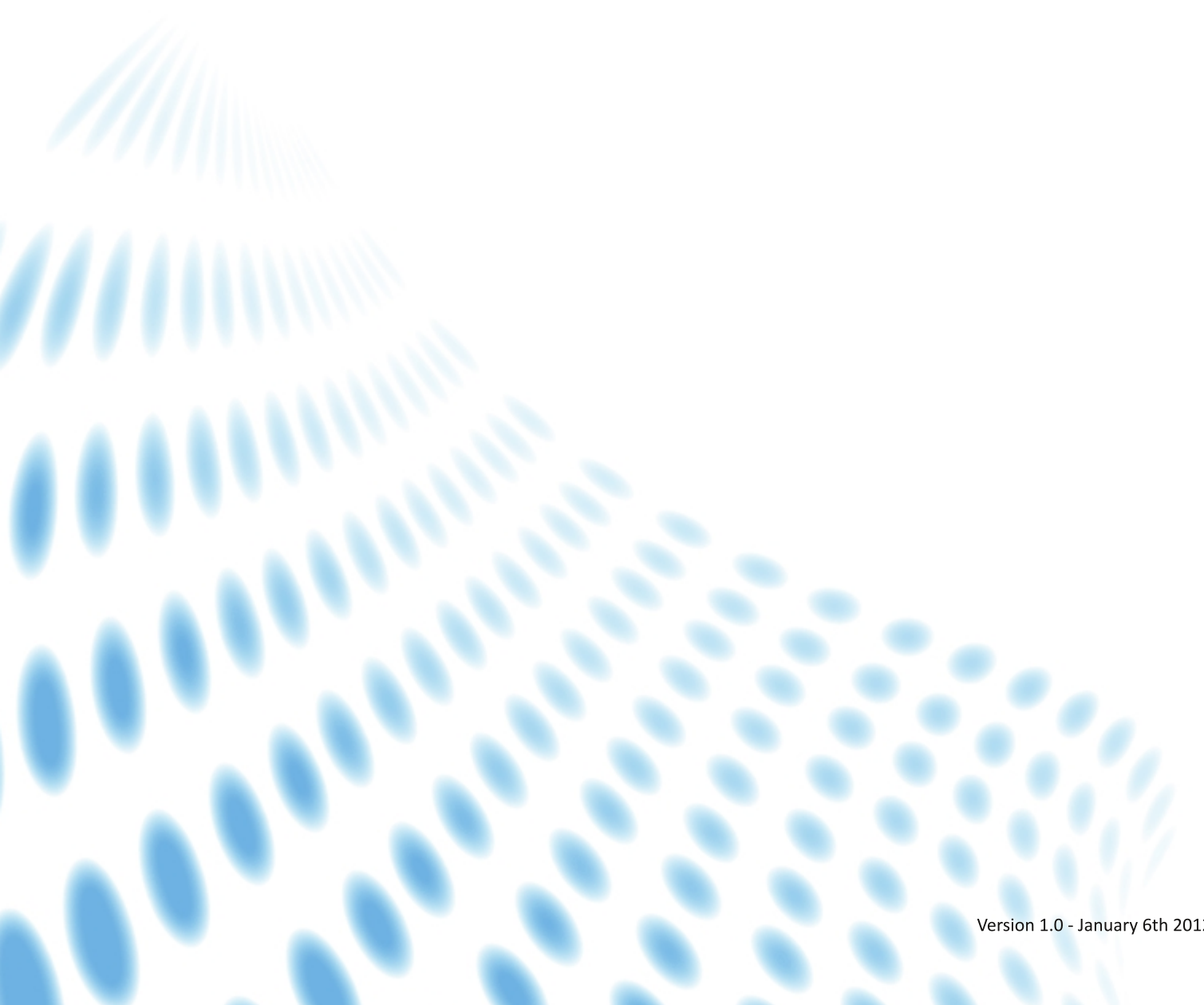




# dreamoc™ XL2

—  
factsheet



The Dreamoc XL2 is a 3 sided holographic display, which lets you combine a physical product with 3D holographic content. From the backdoor you can open into the chamber, where you can place your product for display. The Dreamoc XL2 has HD resolution and built-in sound.



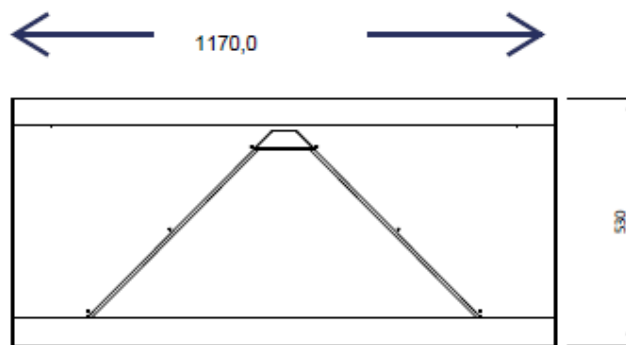
## FEATURES

- 3 sided viewing
- Combine physical objects with holographic content
- Plug and Play
- Easy change of content
- Adjustable LED light
- On/Off switch
- Restart button for player
- Remote Up/Download of content via FTP

- High ambient light tolerance
- Bright and sharp picture quality
- Key protected backdoor
- Adjustable light mask for LED
- Changeable bottom plate
- Built-in loudspeakers
- Remote configuration via HTTP

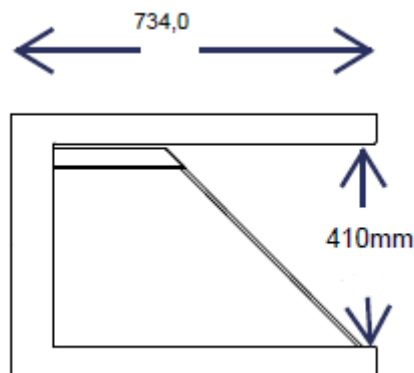
## SPECIFICATIONS

Consumption	189W
Power input	100-240V, 50-60 Hz
Screen size	46", 16:9
Resolution	1920 x 1080
Content	MPEG2, WMV9
Sound out	Mini-jack, Stereo
LED	15W
LED Driver	Adjustable
Input	CF Flash Card or HDMI
Network	10/100 Mbps Ethernet



## MEASUREMENTS

Dreamoc XL v2	
WxHxD	1170x530x734 mm
Weight	N/A
Freight measurements	
WxHxD	1310x780x870 mm
Weight:	76 Kg



## PACKAGE CONTENT

- Dreamoc XL2
- CF Flash card 2GB
- Power cord 500 cm
- Cleaning cloth
- Manual

**FLIGHTCASE**

Optimal for transportation if you use the Dreamoc in various locations. The flightcase has wheels for easy transport.

WxHxD 1230x750x800 mm  
 Weight 42 Kg

**STAND**

The stand puts the Dreamoc XL2 in a perfect viewing angle.

WxHxD 1170x1012x734 mm

Freight measurements

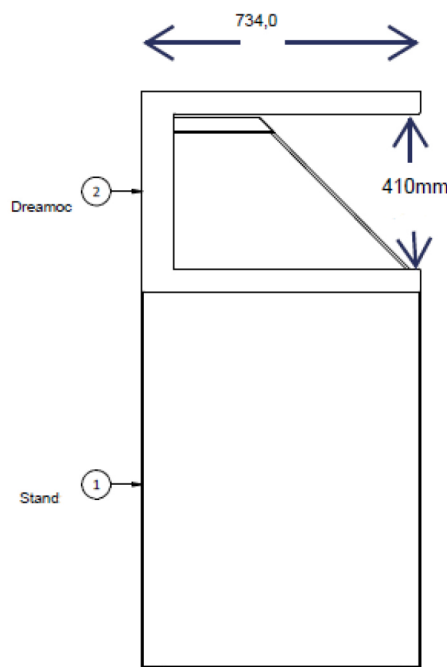
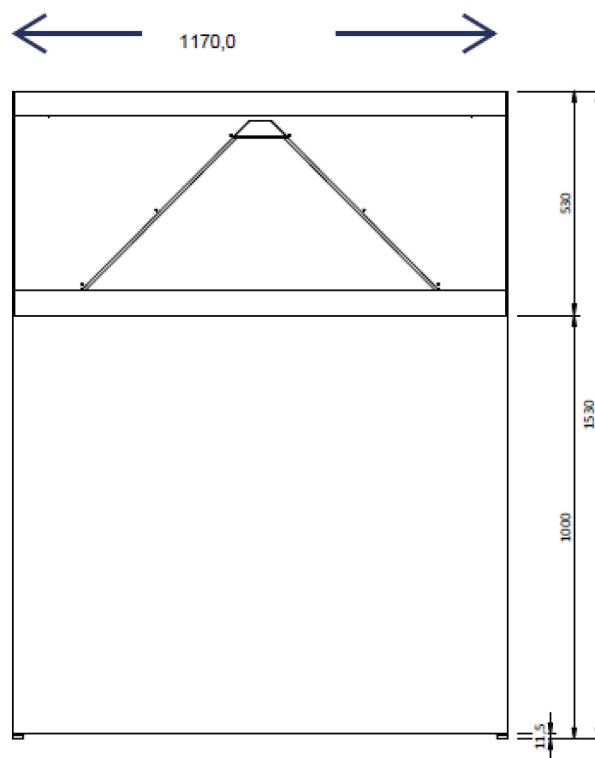
WxHxD 1240x200x1070 mm  
 Weight 18 Kg

**OPTIONAL ACCESSORIES - are not included**

**Dreamoc Play App**

With the Dreamoc Play App your Dreamoc easily becomes an interactive selling or presentation tool. Browse and play Dreamoc content easily through a customizable interface. Available Free & Pro version on Apple App Store

**Podium Demo Incl. content**



Specifications are subject to change without notice. We accept no liability for errors and changes.

