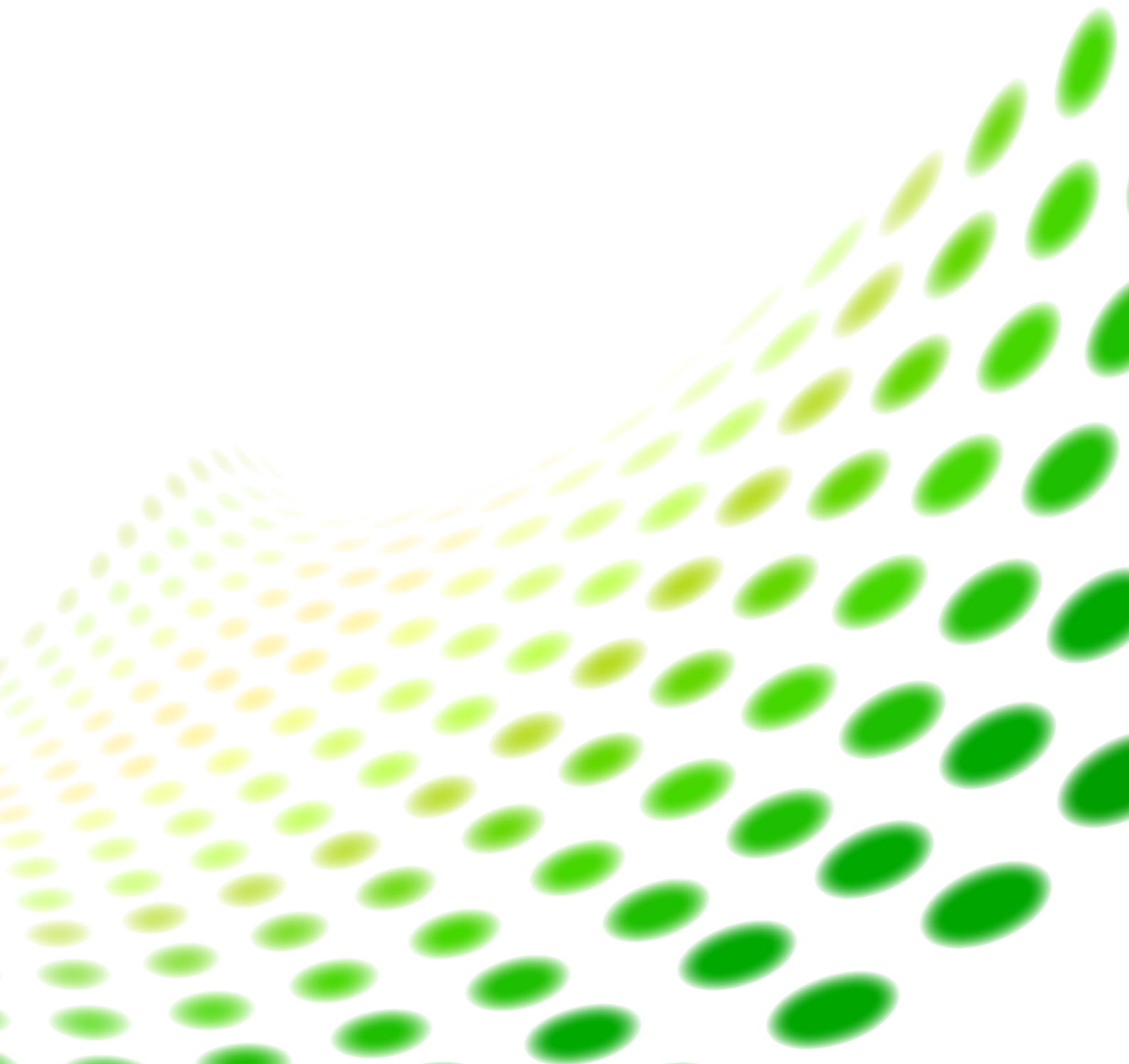


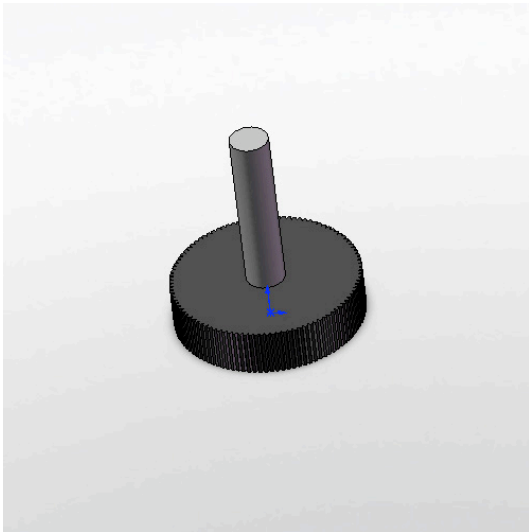


# dreamoc™ XL

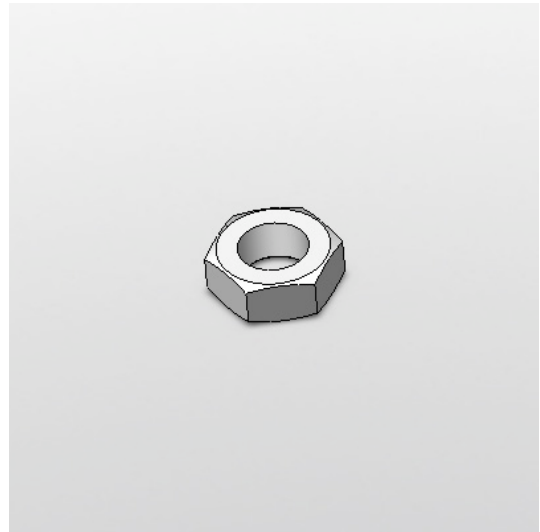
stand assembly guide  
version 1.1



## Package contents



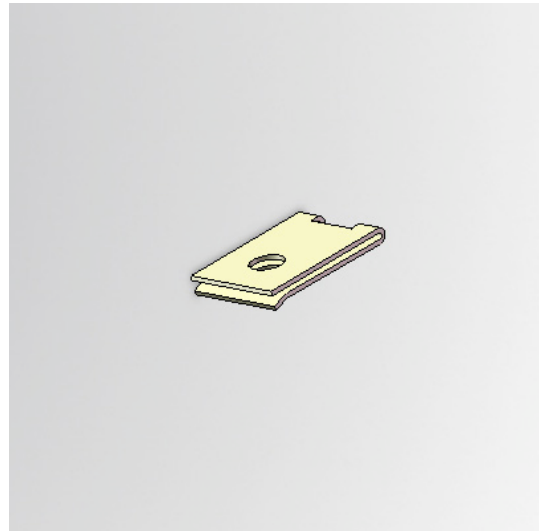
**4 x Adjustable feet**



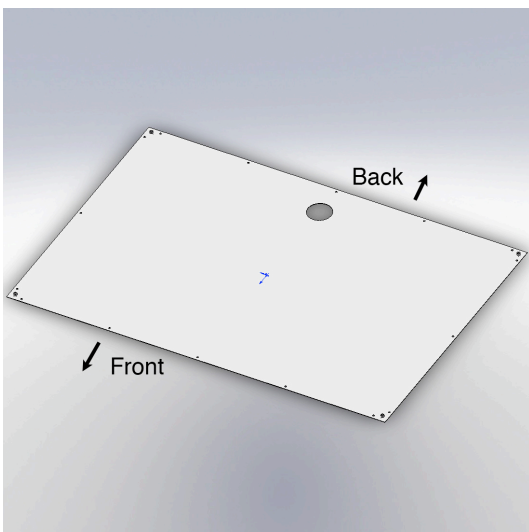
**4 x Nuts and washers**



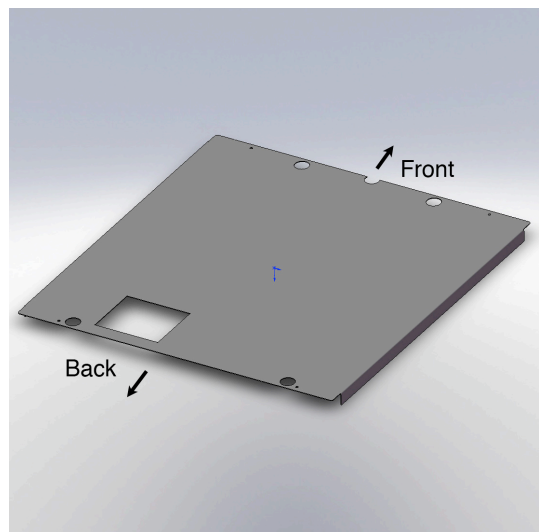
**20 x Screws**



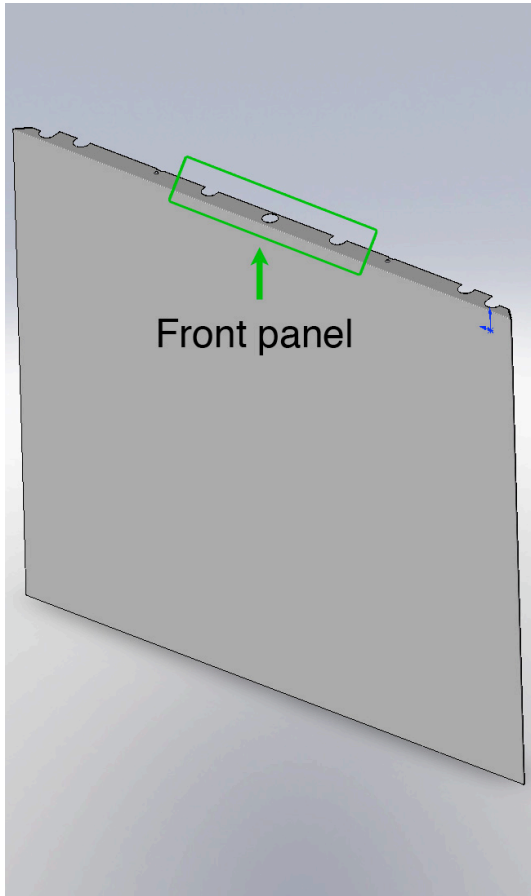
**20 x Plate clips**



**1 x Bottom plate**

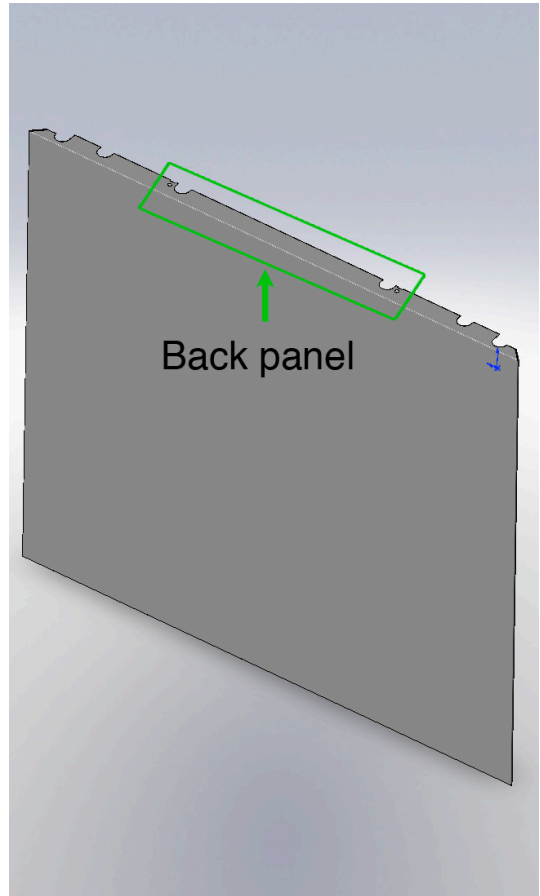


**1 x Top plate**



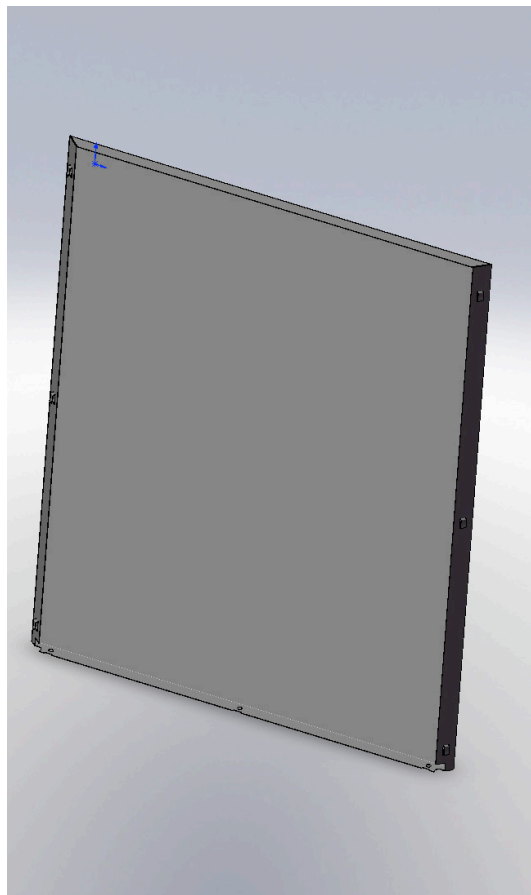
Front panel

**1 x Front panel**



Back panel

**1 x Back panel**

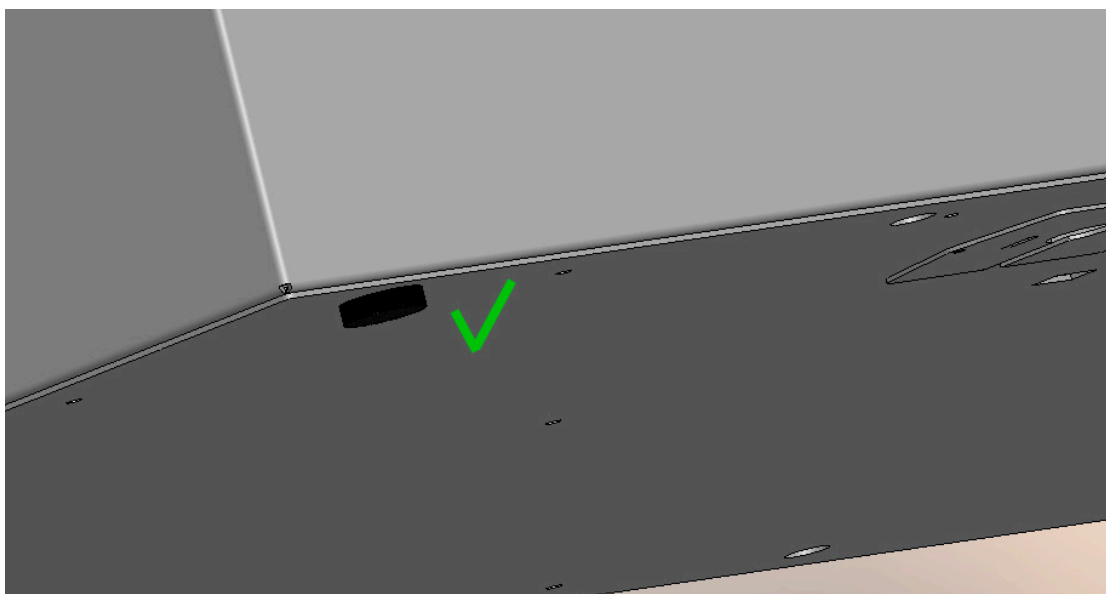
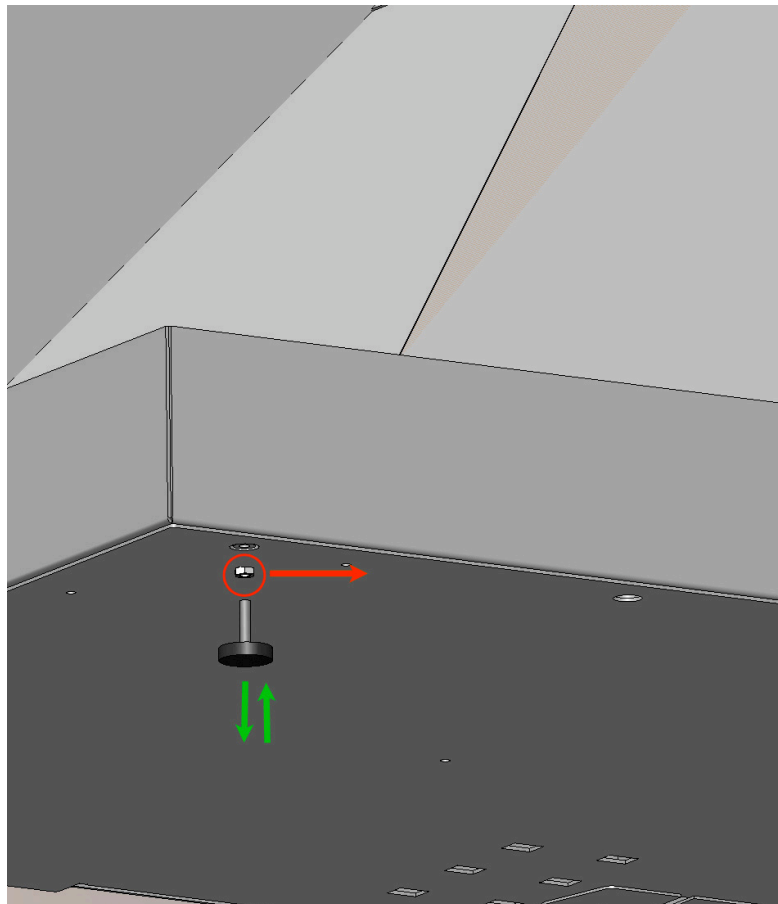


**2 x Side panel**

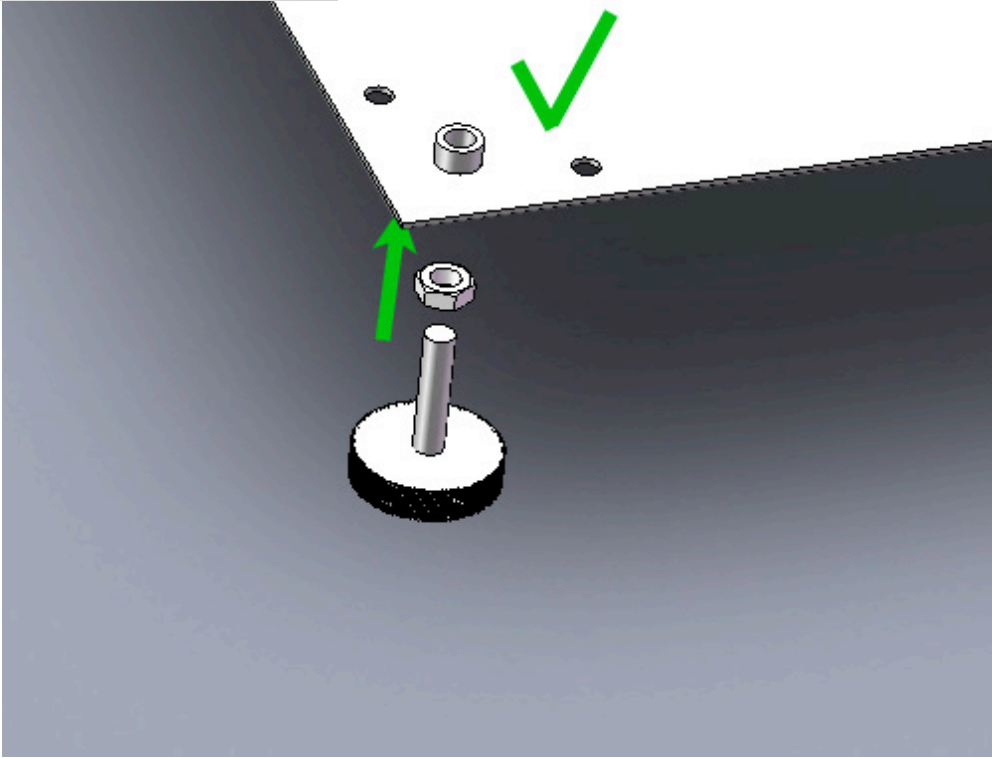
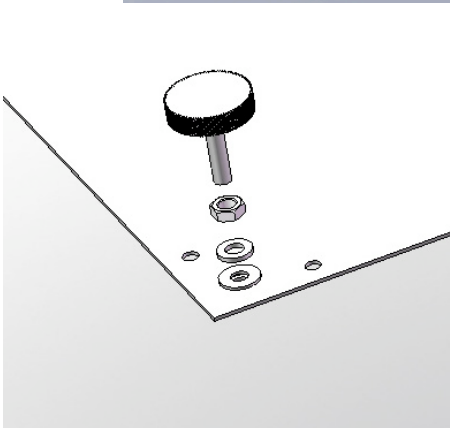
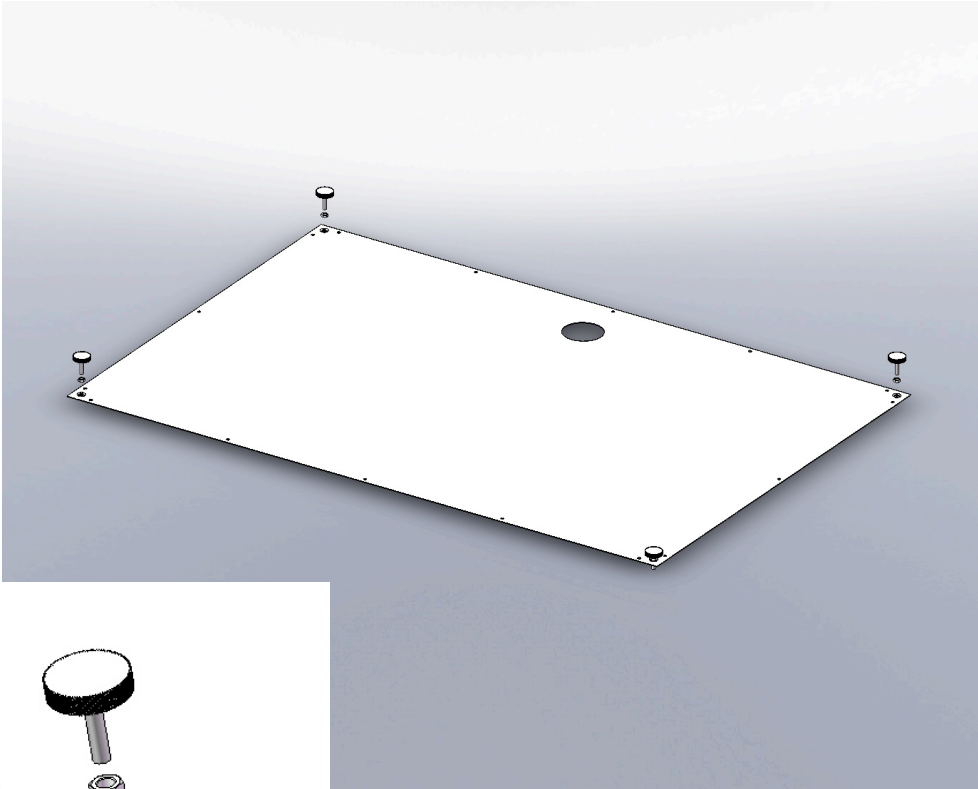
### How to assemble the stand (Optional)

To avoid damage or scratches, it is a good idea to assemble the stand on top of a carpet or the open packaging.

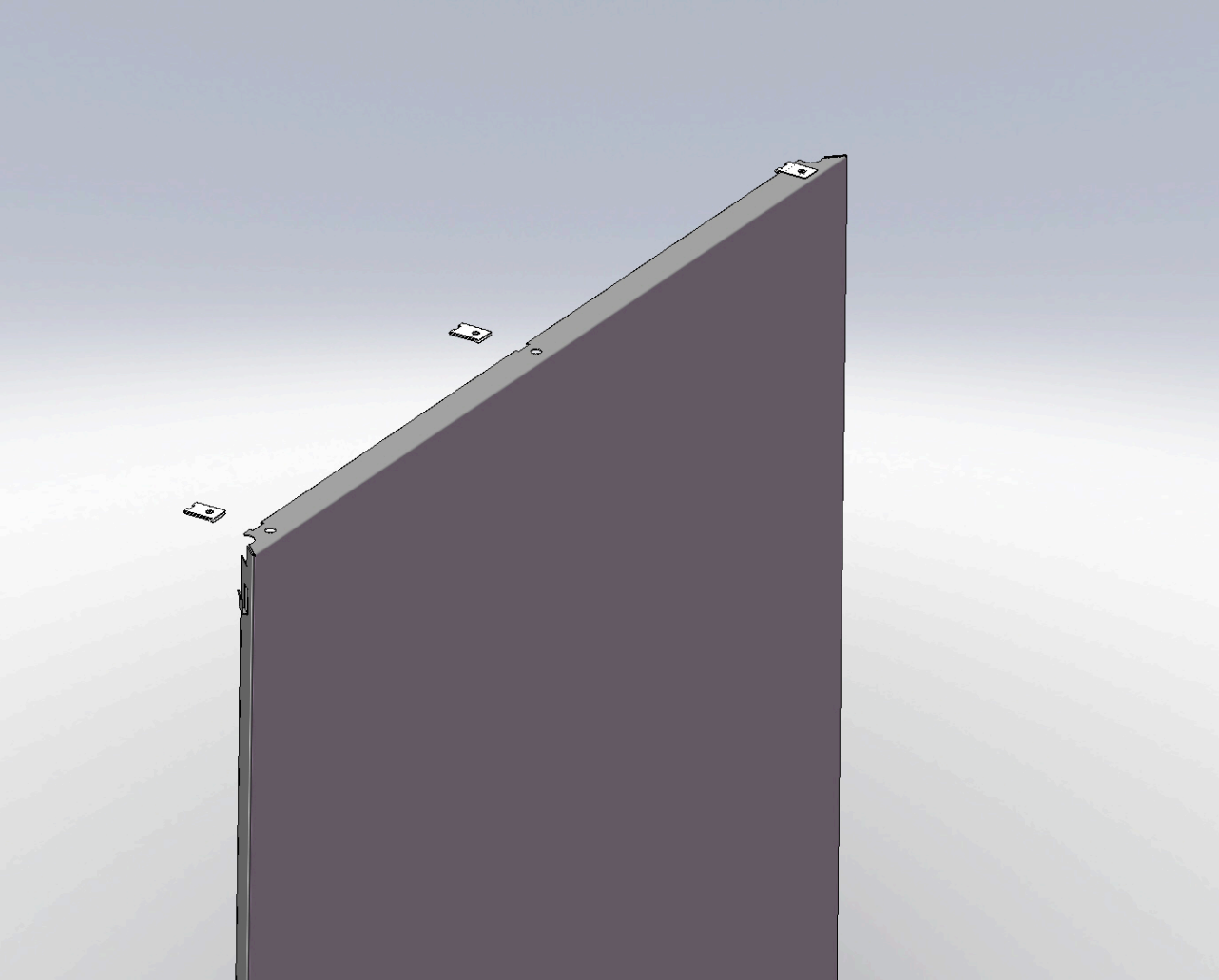
1) For the best and most precise alignment, please remove the small fixation nut from the adjustable feet, and then remount and fully tighten the feet again, so there is no gap between the black plastic feet and the bottom of the Dreamoc display.



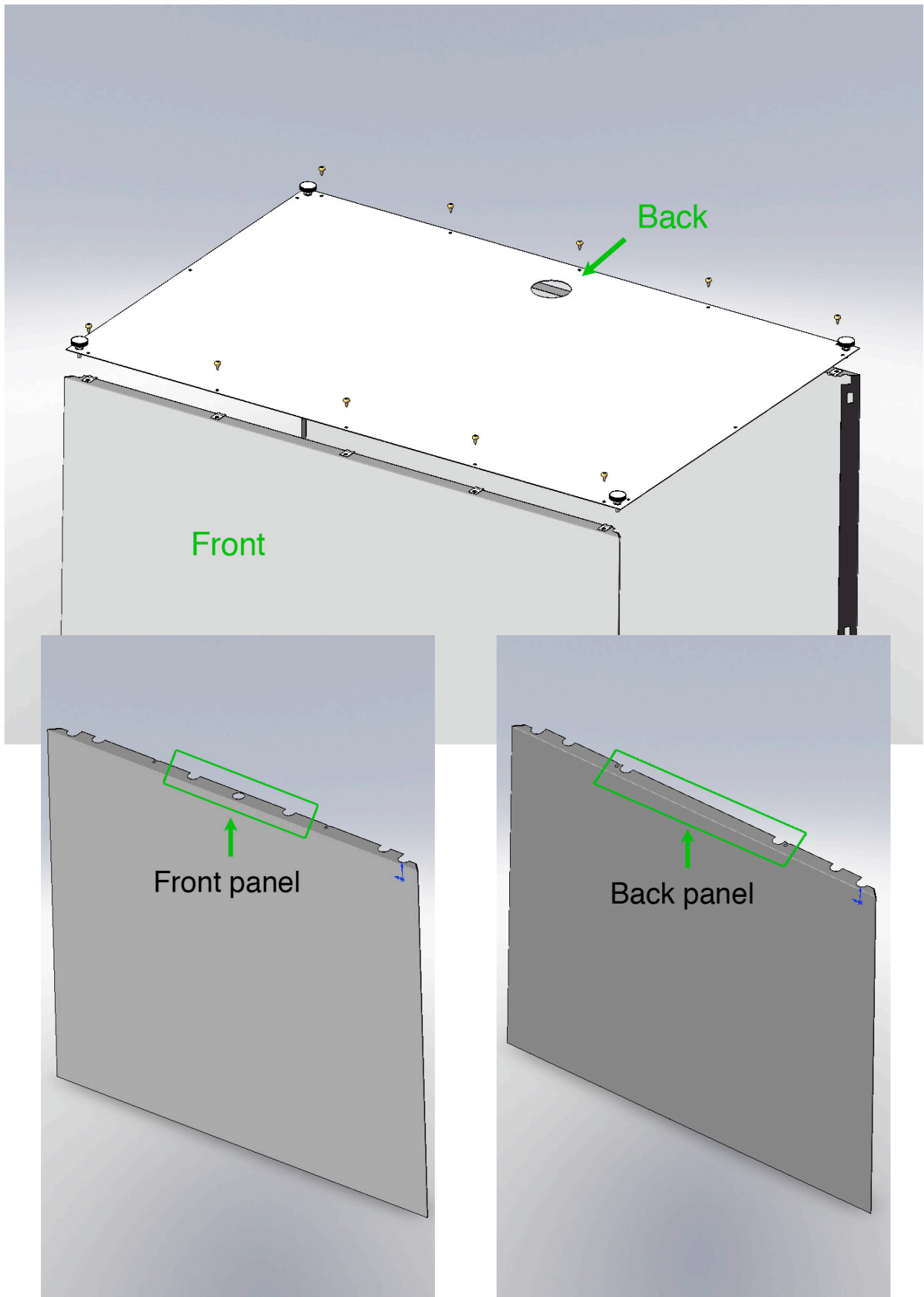
2) Apply nuts and washers to the adjustable feet, and mount the feet from the flat side of the base.



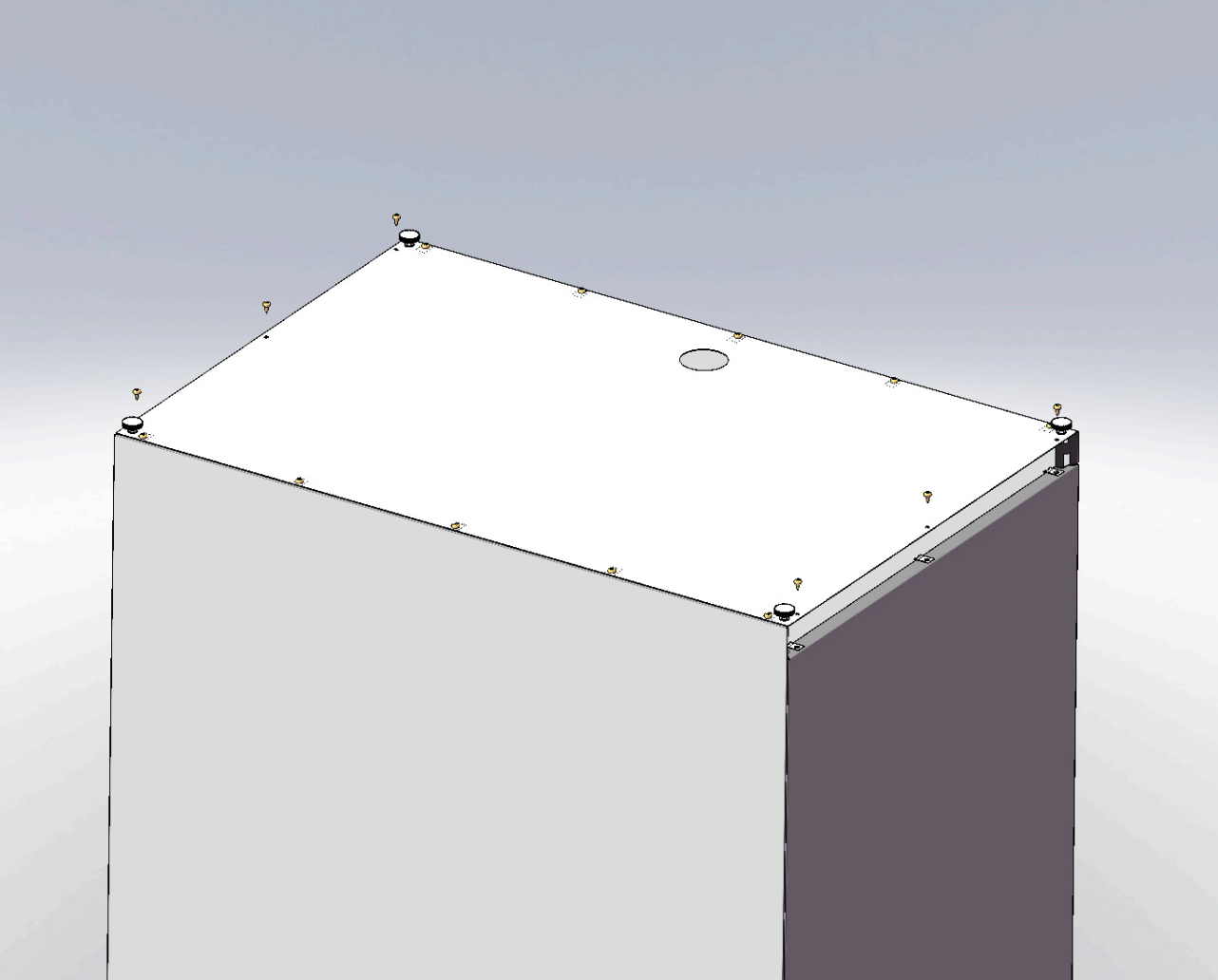
3) Mount plate clips on the bottom edge of all 4 panels as shown.



4) Mount the bottom end of the front and back panels on the base as shown. Be sure to mount the back panel on the side with the hole. Do not tighten the screws completely yet.

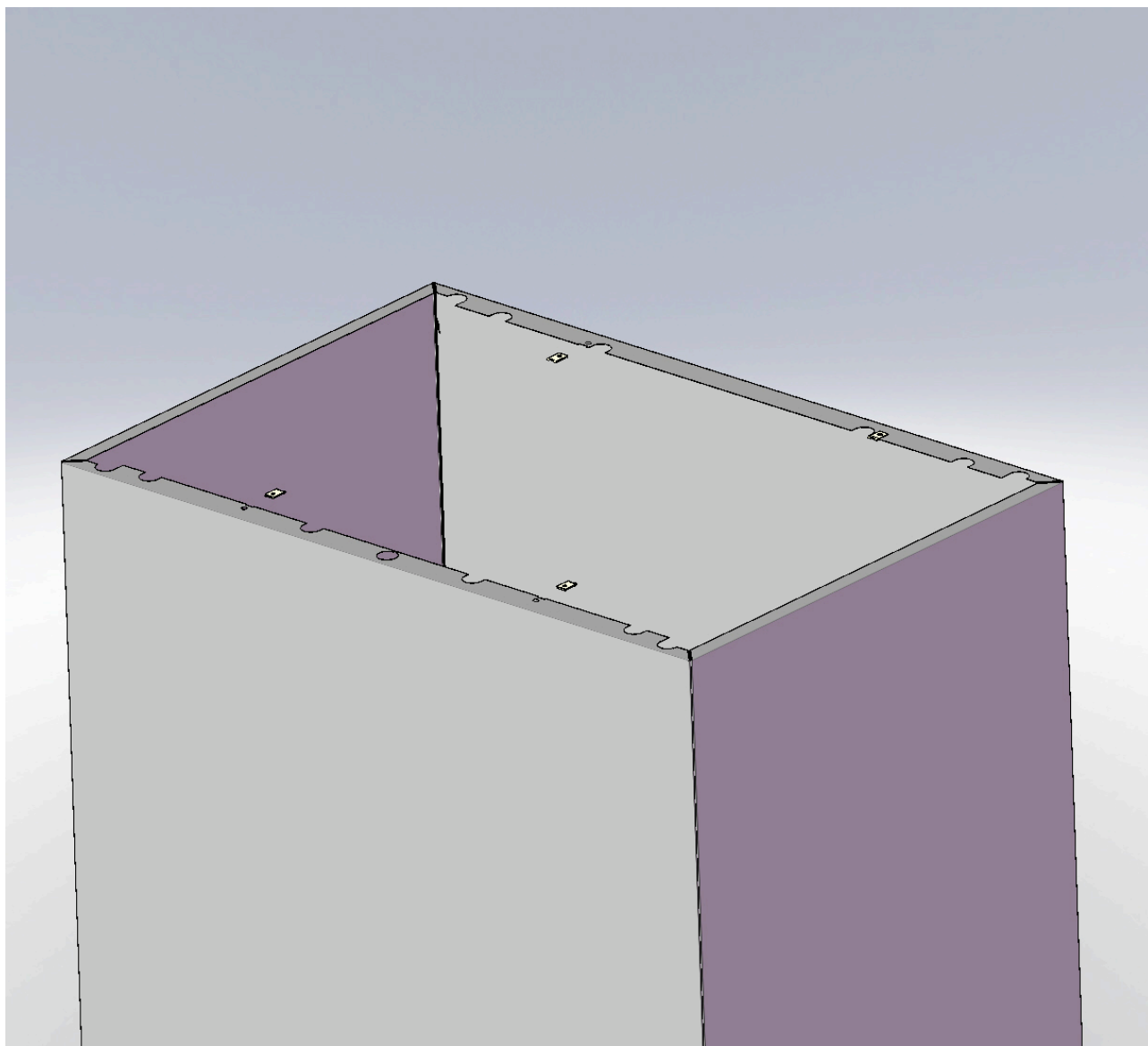


5) The side panels can now be attached. The panels attach when slid towards the base. Mount the rest of the screws and tighten all screws.

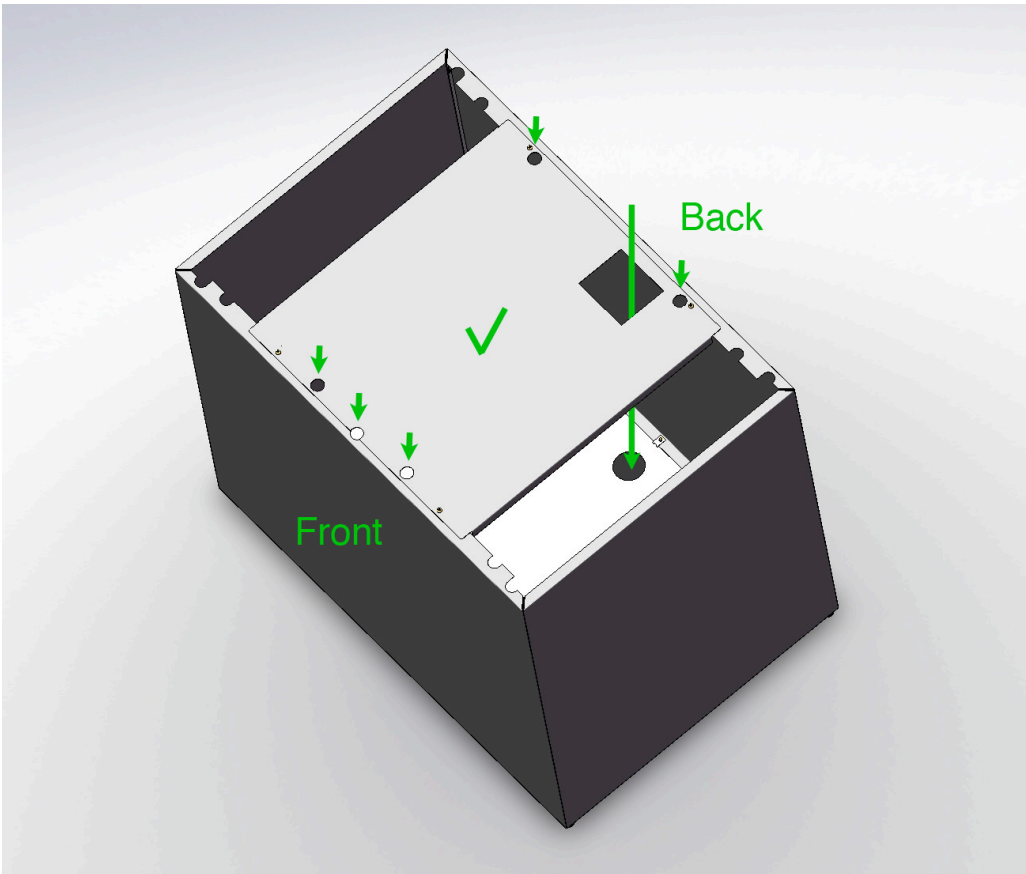
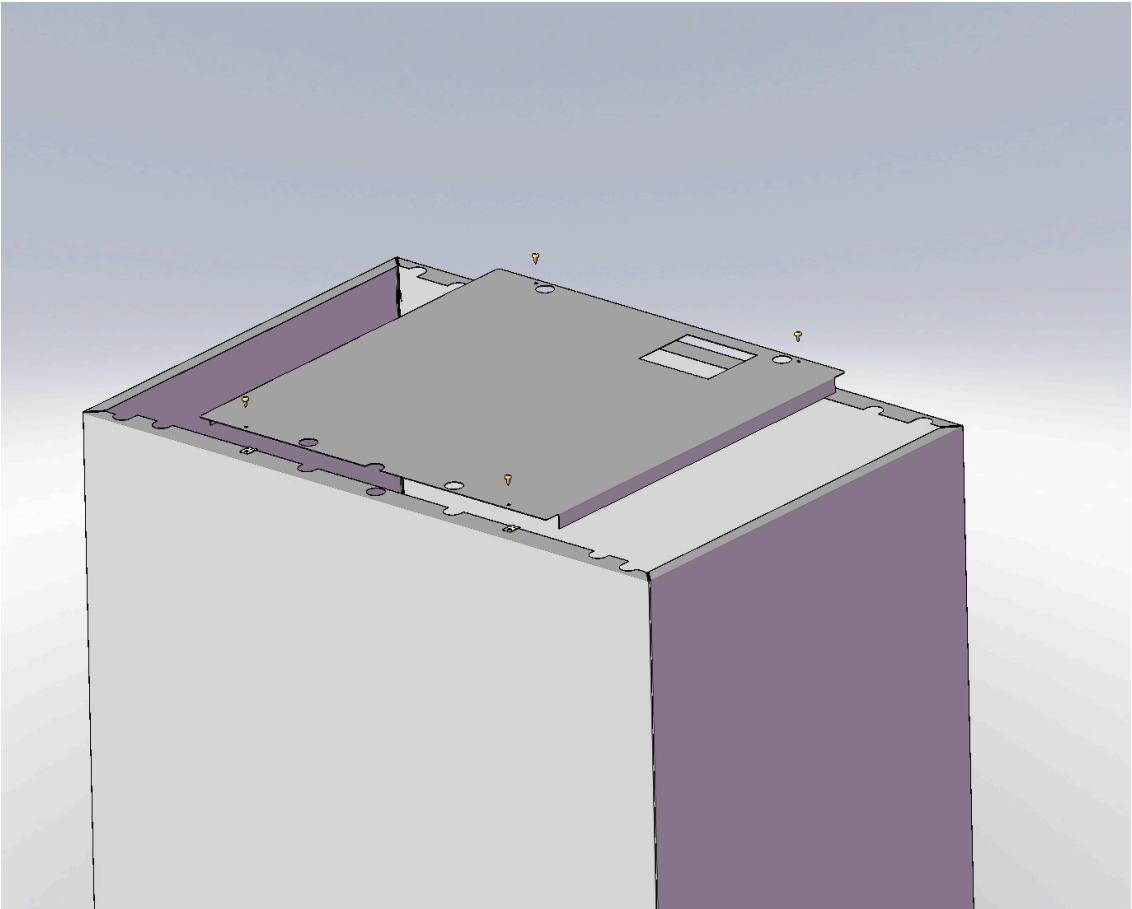




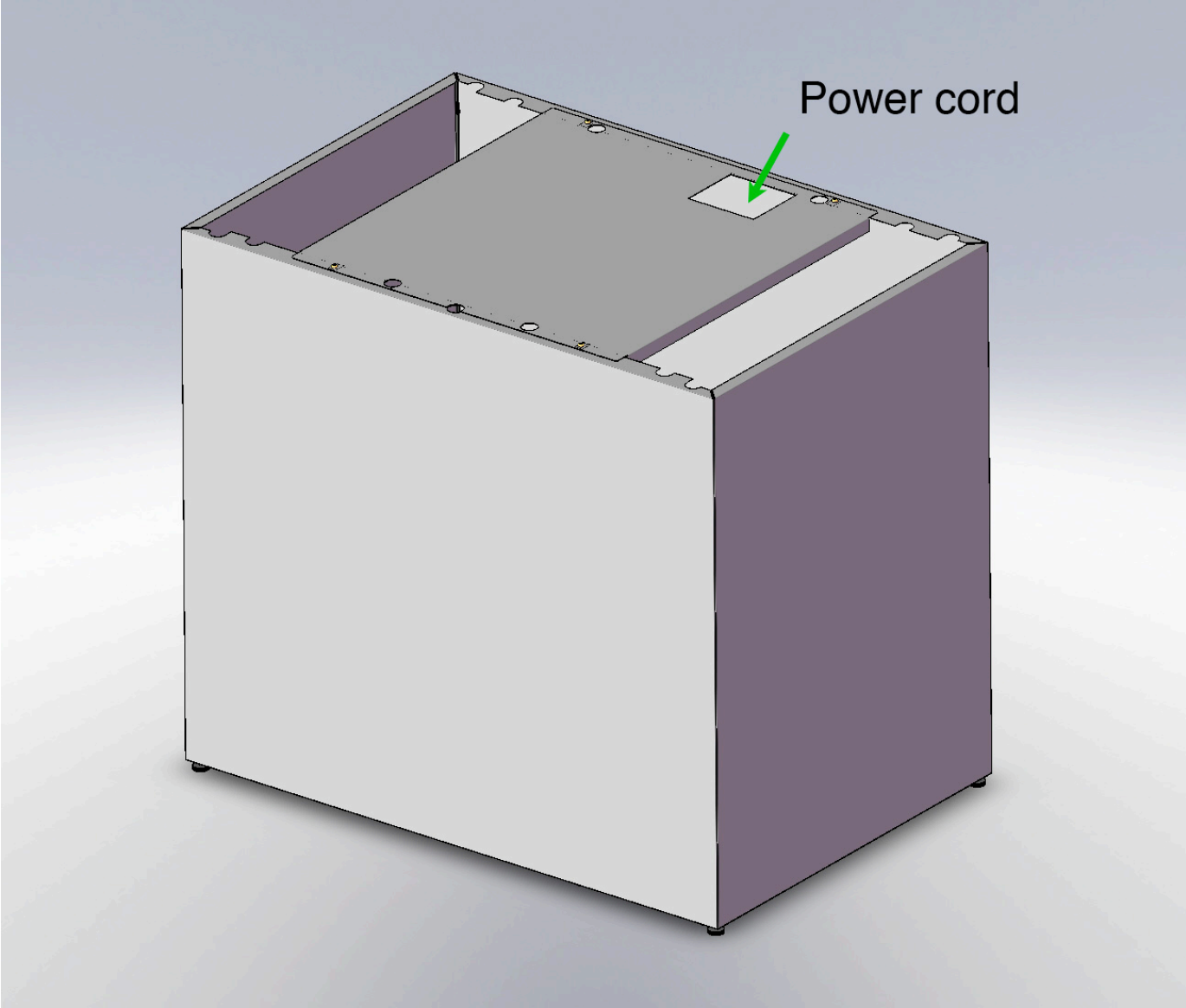
6) Turn the stand around, and mount plate clips to the top edge of the front and back panels.

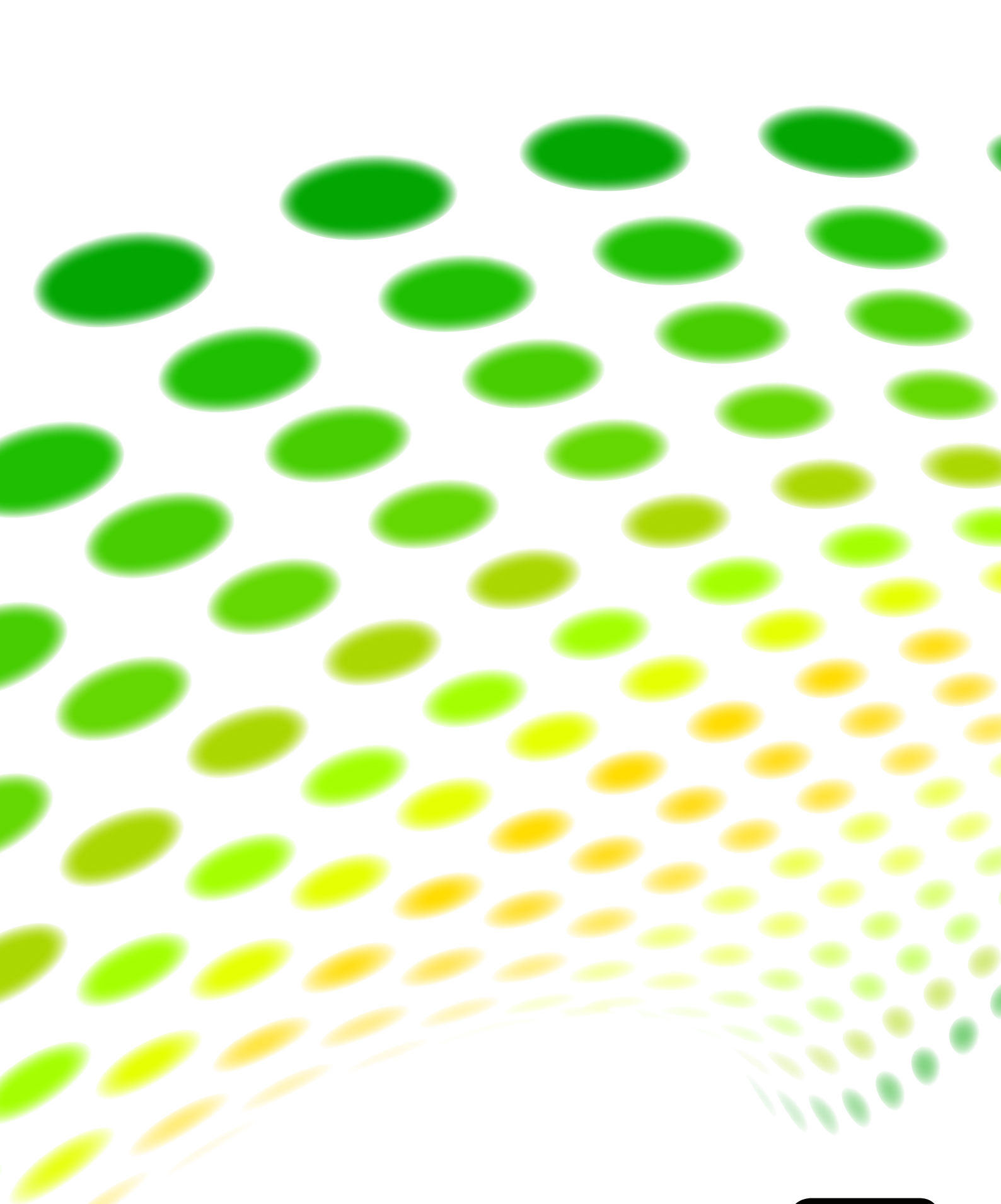


7) Mount the top plate while making sure that all holes align as shown.



8) The stand is now ready for use.





For further information and pricing  
please contact RealFiction  
phone number: +45 70206490  
email: [contact@realfiction.com](mailto:contact@realfiction.com)

