

REALFICTION™

# dreamoc™ XL

A Cool New 3D Display that gives your product the competitive edge

In today's highly competitive retail market top end brands and exclusive stores need exciting new ways to differentiate themselves from the competition.

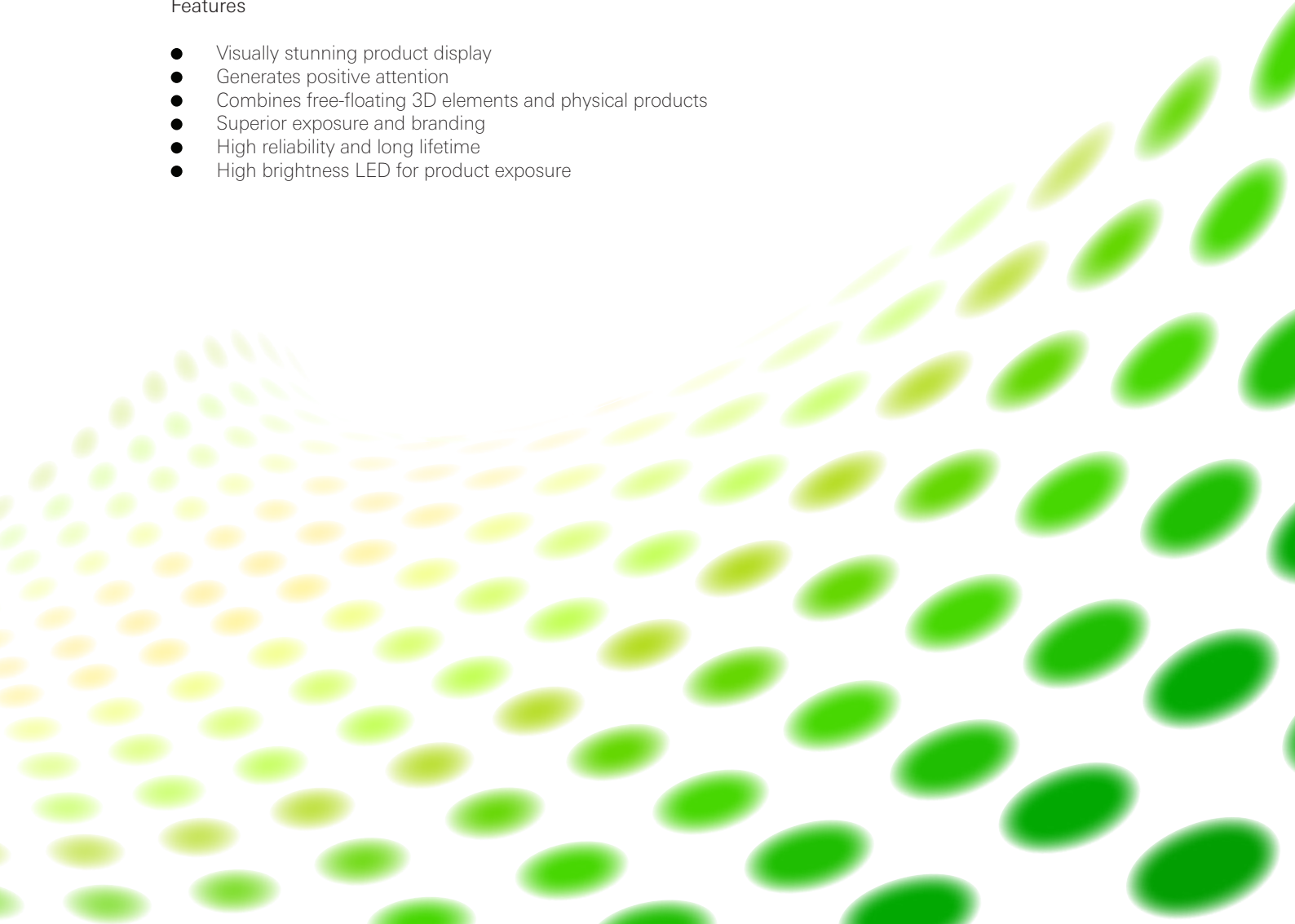
The Dreamoc, from RealFiction, is a unique 3D display unit that conveys compelling product messages that consumers just can't ignore.

Dreamoc provides a dazzling combination of holographic-like, free floating video images, with a display of the physical product. The video can be fully customized to fit your branding and colour.

Make your product stand out from the crowd with the powerful and eye-catching Dreamoc display.

## Features

- Visually stunning product display
- Generates positive attention
- Combines free-floating 3D elements and physical products
- Superior exposure and branding
- High reliability and long lifetime
- High brightness LED for product exposure

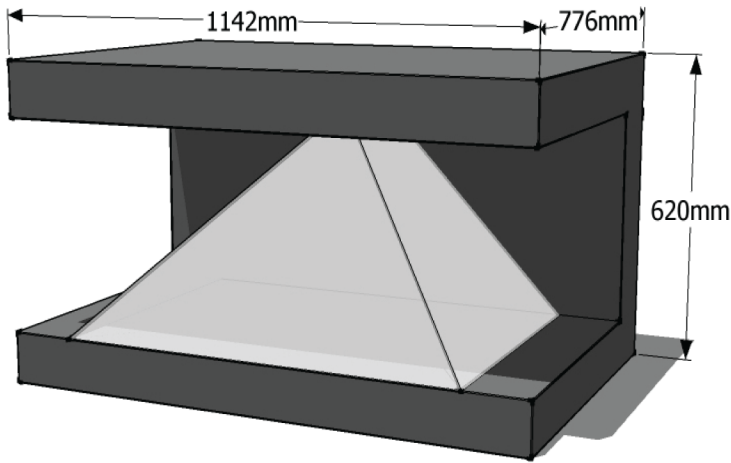












**DreamocXL Facts**

Dimensions: L=1142 mm, D=776 mm, H=620 mm

Weight: 75 kg

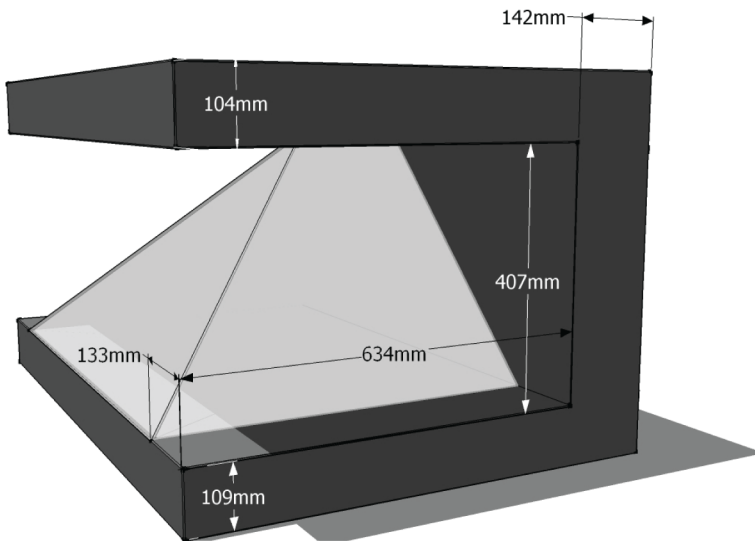
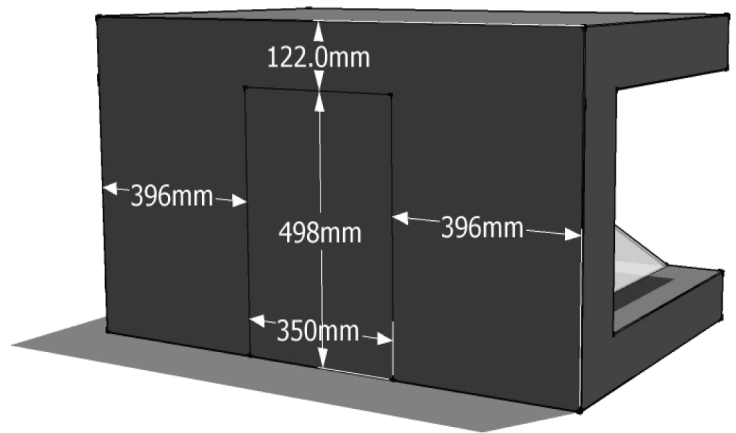
◀ 1920x1080 resolution

Power: 220-240V ~ 50Hz

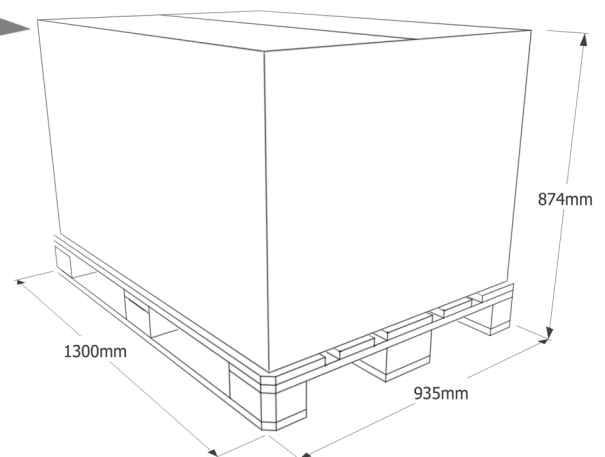
Energy Consumption: 245W

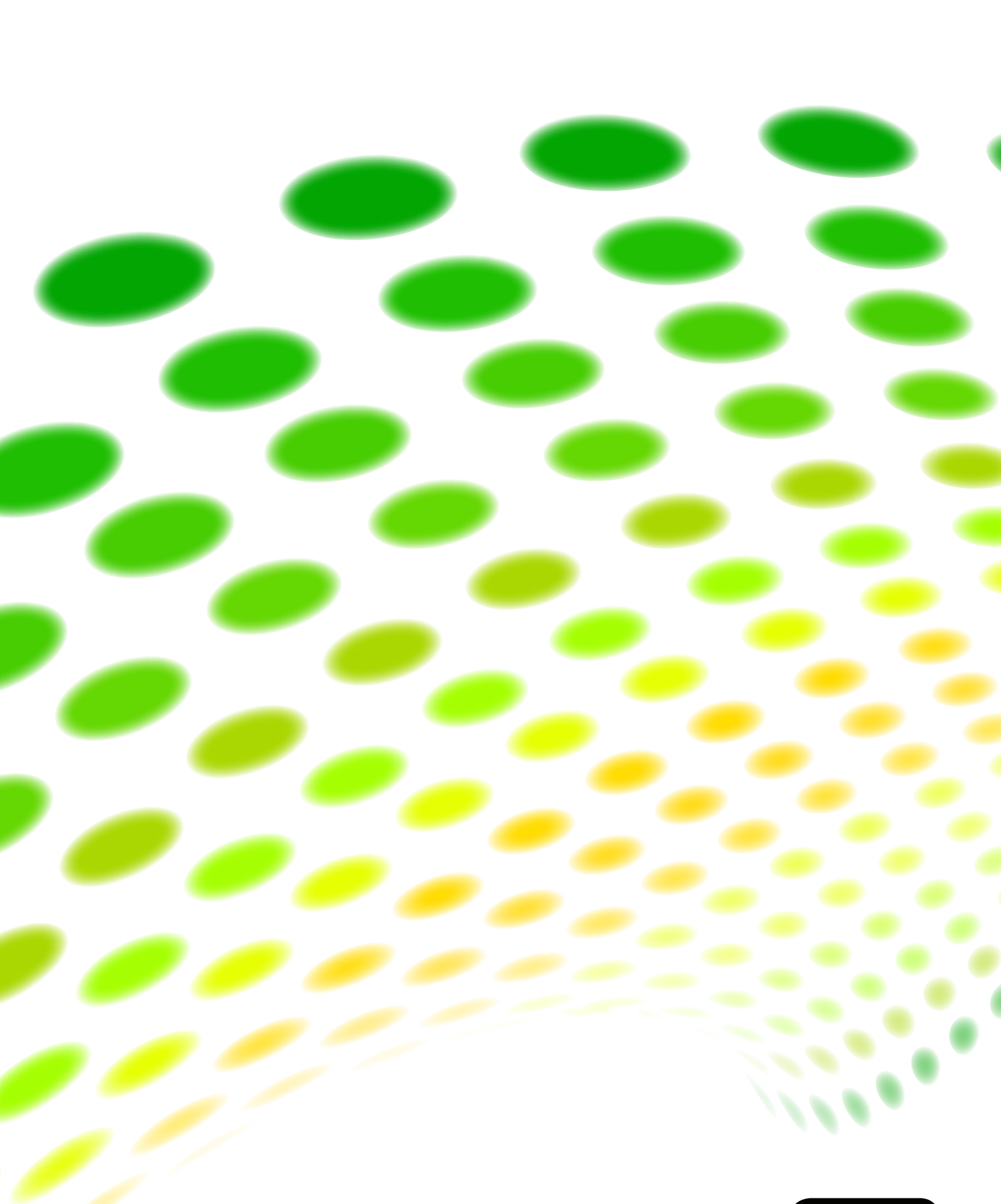
Stand is optional

Door dimensions: ▶  
L=350 mm, H=498 mm



Display Package Dimensions  
Weight: 100kg ▶





For further information and pricing  
please contact RealFiction  
phone number: +45 70206490  
email: [contact@realfiction.com](mailto:contact@realfiction.com)

